

200M CAST IRON GATE VALVE

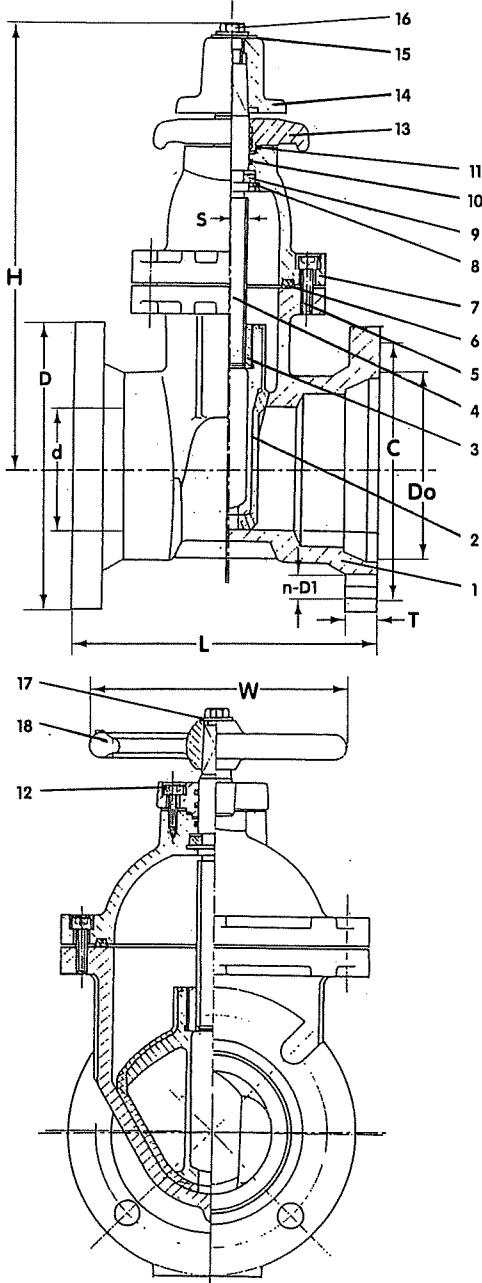
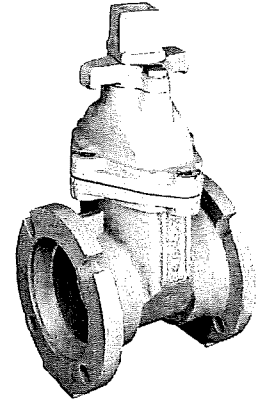


- ◆ Resilient Wedge ◆ MJ x MJ Ends Per AWWA C111/A21.11
- ◆ Non Rising Stem ◆ Bolted Bonnet ◆ Epoxy Coated ◆ Stainless Steel Stem

200 PSI NON-SHOCK WOG MAXIMUM TEMPERATURE 140°F

Applications: Irrigation, Potable Water, Turf, Golf Course,
Water Distribution Service & Feed Lines, Sewage Disposal

Conforms with AWWA C-509
MJ Ends Per AWWA C111/A21.11



DIMENSIONS & WEIGHTS

SIZE d ϕ (inches)	L	D	C	Do	n	D1	T	W	H	S	APROX. WT. LBS.
3"	7.99	7.68	6.18	4.96	4	.88	.94	7.87	13.19	1.10	53
4"	9.02	9.09	7.50	6.02	4	.88	.98	9.45	14.76	1.10	77
6"	10.71	11.10	9.49	8.11	6	.88	1.02	12.60	17.91	1.26	137
8"	11.50	13.35	11.73	10.28	6	.88	1.10	14.17	21.65	1.26	200
10"	12.99	15.67	14.00	12.36	8	.88	1.18	15.75	26.18	1.42	330
12"	14.02	17.91	16.25	14.44	8	.88	1.26	15.75	29.13	1.42	440

MATERIAL SPECIFICATIONS

NO.	PART	MATERIAL	ASTM DESIGNATION
1	Body	Cast Iron	A126 CLB
2	Disc	Ductile Iron Buna-N	A395 GR65-45-12 D2000
3	Stem Nut	Bronze	B62
4	Stem	Stainless Steel	A276 GR304
5	Bonnet Bolt	Steel	A307 GRB
6	Bonnet Gasket	Buna-N	D2000
7	Bonnet	Cast Iron	A126 CLB
8	Clip Ring	Steel	C1065
9	Split Ring	Bronze	B62
10	O-Ring	Buna-N	D2000
11	Packing Box Gasket	Buna-N	D2000
12	Packing Box Bolt	Steel	A307 GRB
13	Packing Box	Cast Iron	A126 CLB
14	Operating Nut	Cast Iron	A126 CLB
15	Washer	Steel	Commercial
16	Top Bolt	Steel	A307 GRB
17	Washer	Steel	Commercial
18	Handwheel	Cast Iron	A126 CLB

Product Spec Sheet



BREWSTER: TEL:800-431-2082 FAX: 914-278-9056 HOUSTON: TEL: 800-935-5456 FAX:800-683-4247

Visit Our Web Site: www.matco-norca.com