

# 200FJ CAST IRON GATE VALVE



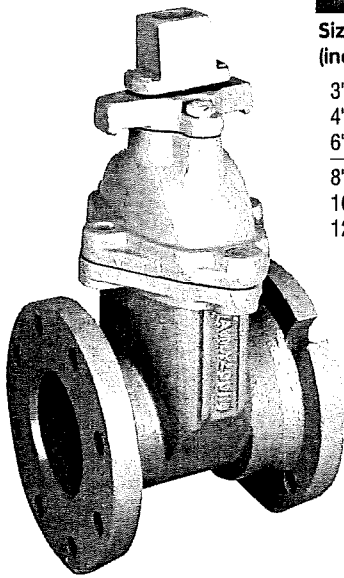
- ◆ Resilient Wedge    ◆ FL x MJ End    ◆ Non-Rising Stem
  - ◆ Bolted Bonnet    ◆ Epoxy Coated    ◆ Stainless Steel Stem
- 200 PSI NON-SHOCK WOG    MAXIMUM TEMPERATURE 140°F**

Applications: Irrigation, Potable Water, Turf, Golf Course,  
Water Distribution Service & Feed Lines, Sewage Disposal

Conforms with AWWA C509

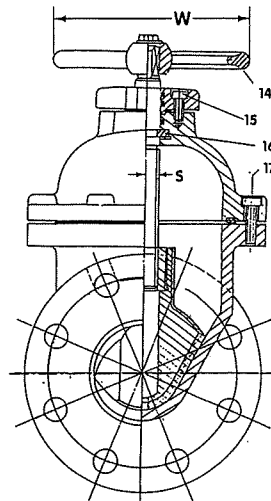
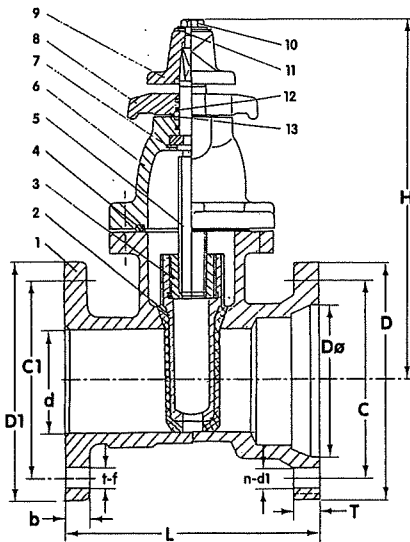
## DIMENSIONS & WEIGHTS

Size d $\phi$ (inch)	L	D	C	D $\phi$	n-d1	T	W	H	S	D1	Cl	b	t-f
3"	8.00	7.68	6.18	4.96	4-.88	.94	7.87	13.19	1.10	7.48	6.00	.75	4-.75
4"	9.00	9.09	7.50	6.02	4-.88	.98	9.45	14.76	1.10	8.98	7.50	.94	8-.75
6"	10.75	11.10	9.49	8.11	6-.88	1.02	12.60	17.91	1.26	10.98	9.49	.98	8-.88
8"	11.50	13.35	11.73	10.28	6-.88	1.10	14.17	21.65	1.26	13.50	11.75	1.14	8-.88
10"	13.00	15.67	14.00	12.36	8-.88	1.18	15.75	26.18	1.42	15.98	14.25	1.18	12-1.00
12"	14.00	17.91	16.25	14.44	8-.88	1.26	15.75	29.13	1.42	19.02	17.01	1.26	12-1.00



## MATERIAL SPECIFICATIONS

NO.	PART	MATERIAL	ASTM DESIGNATION
1	Body	Cast Iron	A126 CLB
2	Disc	Ductile Iron	A395 GR65-45-12
		Buna-N	D2000
3	Stem Nut	Bronze	B62
4	Bonnet Gasket	Buna-N	D2000
5	Stem	Stainless Steel	A276 GR304
6	Bonnet	Cast Iron	A126 CLB
7	Clip Ring	Steel	C1065
8	Packing Box	Cast Iron	A126 CLB
9	Operating Nut	Cast Iron	A126 CLB
10	Top Bolt	Steel	A307 GRB
11	Washer	Steel	Commercial
12	O-Ring	Buna-N	D2000
13	Packing Box Gasket	Buna-N	D2000
14	Handwheel	Cast Iron	A126 CLB
15	Packing Box Bolt	Steel	A307 GRB
16	Split Ring	Bronze	B62
17	Bonnet Bolt	Steel	A307 GRB



Product Spec Sheet



BREWSTER: TEL:800-431-2082 FAX: 914-278-9056 HOUSTON: TEL: 800-935-5456 FAX:800-683-4247

Visit Our Web Site: [www.matco-norca.com](http://www.matco-norca.com)