

100W AWWA C509 CAST IRON GATE MATCO-NORCA

- ❖ Resilient Wedge ❖ FLG x FLG Ends Per AWWA C111/A21.11
 - ❖ Non Rising Stem ❖ Bolted Bonnet ❖ Fusion Bonded Epoxy Coated
- 150 PSI Non-Shock CWP* MAXIMUM TEMPERATURE 140°F**

Applications: Potable Water, Turf Irrigation, Golf Course, Water Distribution Service & Feed Lines, Sewage Disposal

Product Spec Sheet

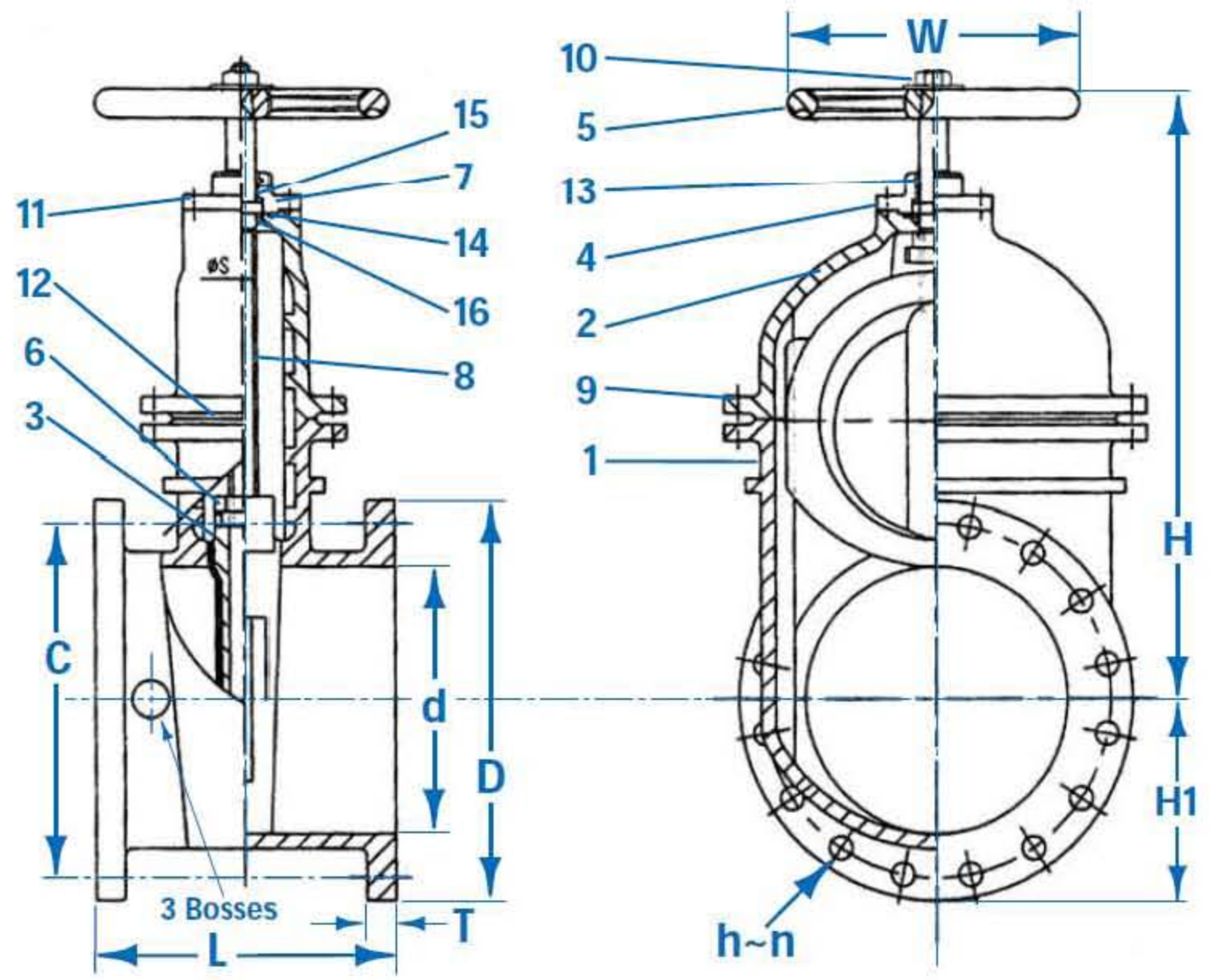


ISO 9001:2000

DIMENSIONS & WEIGHTS

SIZE dO INCH	L	DØ	CØ	hØ	n	T	SØ*	H	H1	WØ	APROX. WT. LBS.
14	15	21.00	18.75	1.13	12	1.38	1.40	35.63	10.13	15.75	750
16	16	23.50	21.25	1.13	16	1.44	1.56	39.38	11.75	17.75	1020

*SØ Measurement taken at base of thread.



MATERIAL SPECIFICATIONS

NO.	PARTS	MATERIAL	ASTM DESIGNATION	NO.	PARTS	MATERIAL	ASTM DESIGNATION
1	Body	Cast Iron	A126 Class B	9	Bonnet, Bolt & Nut	Zinc Coated Steel	A307 Grade B
2	Bonnet	Cast Iron	A126 Class B	10	Handwheel Nut	Zinc Coated Steel	A307 Grade B
3	Disc	Cast Iron & Rubber (BUNA N)	A126 Class B & D2000 BK707	11	Stuffing Box, Bolt	Zinc Coated Steel	A307 Grade B
4	Stuffing Box	Cast Iron	A126 Class B	12	Bonnet Gasket	Rubber (BUNA N)	D 2000 BK 707
5	Handwheel/Op Nut	Cast Iron	A126 Class B	13	Wiper Ring	Rubber (BUNA N)	D 2000 BK 707
6	Stem Nut	Bronze	B62	14	O-Ring A	Rubber (BUNA N)	D 2000 BK 707
7	Washer	Bronze	B21	15	O-Ring B	Rubber (BUNA N)	D 2000 BK 707
8	Stem	Bronze	B21	16	O-Ring C	Rubber (BUNA N)	D 2000 BK 707

