

100M AWWA C509 CAST IRON GATE VALVE



- ❖ Resilient Wedge ❖ MJ x MJ Ends Per AWWA C111/A21.11
 - ❖ Non Rising Stem ❖ Bolted Bonnet ❖ Fusion Bonded Epoxy Coated
- 150 PSI Non-Shock CWP* MAXIMUM TEMPERATURE 140°F**

Applications: Potable Water, Turf Irrigation, Golf Course, Water Distribution Service & Feed Lines, Sewage Disposal

Product Specs Sheet

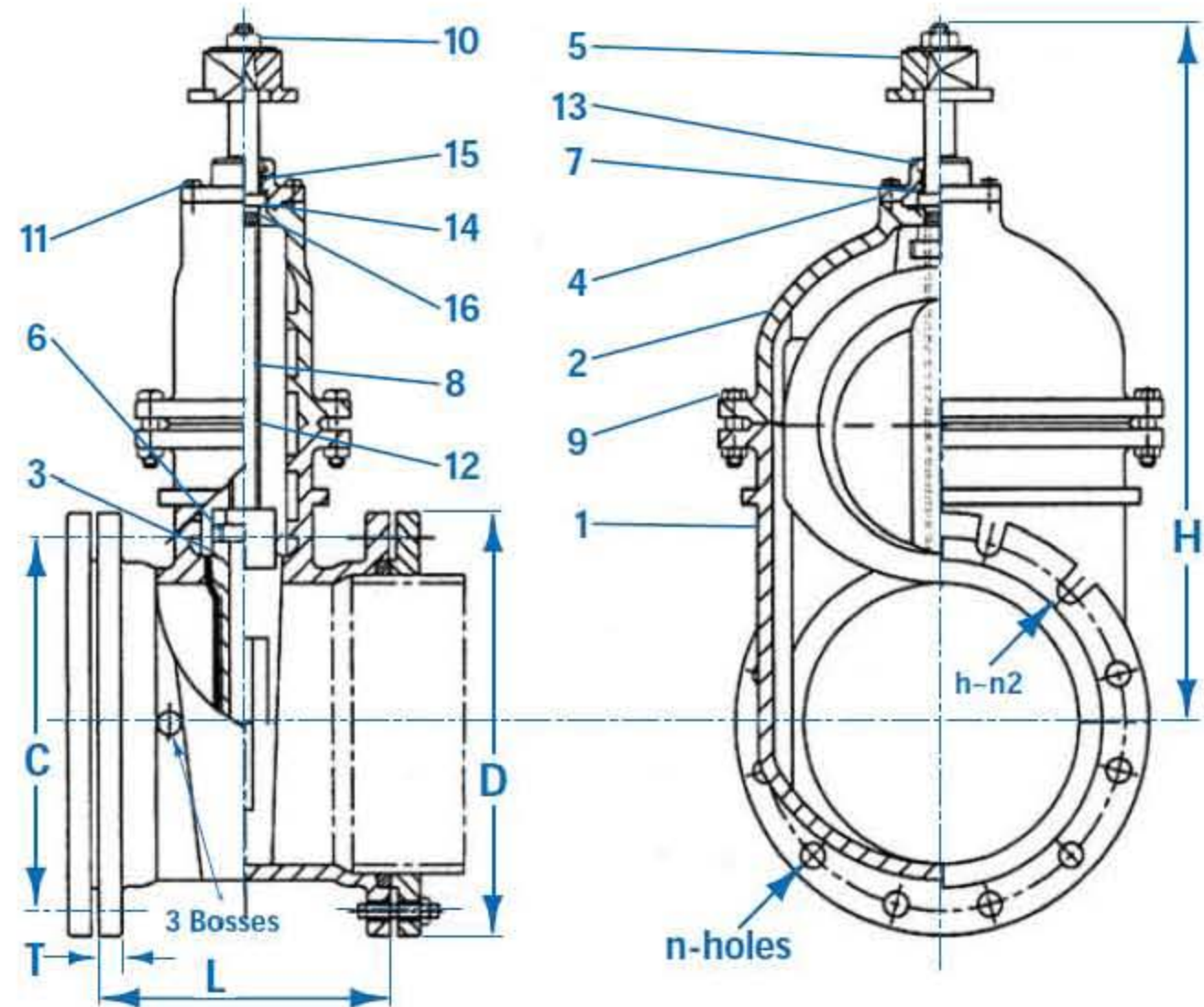


ISO 9001:2000

DIMENSIONS & WEIGHTS

SIZE dØ INCH	L	DØ	CØ	hØ	n	T	SØ*	H	APROX. WT. LBS.
14	15	20.31	18.75	.88	10	1.31	1.40	35.62	738
16	16	22.56	21.00	.88	12	1.38	1.56	39.38	942

*SØ Measurement taken at base of thread.



MATERIAL SPECIFICATIONS

NO. PARTS	MATERIAL	ASTM DESIGNATION	NO. PARTS	MATERIAL	ASTM DESIGNATION
1 Body	Cast Iron	A126 Class B	9 Bonnet, Bolt & Nut	Zinc Coated Steel	A307 Grade B
2 Bonnet	Cast Iron	A126 Class B	10 Top Nut	Zinc Coated Steel	A307 Grade B
3 Disc	Cast Iron & Rubber (BUNA N)	A126 Class B & D2000 BK707	11 Stuffing Box, Bolt	Zinc Coated Steel	A307 Grade B
4 Stuffing Box	Cast Iron	A126 Class B	12 Bonnet Gasket	Rubber (BUNA N)	D 2000 BK 707
5 Operating Nut	Cast Iron	A126 Class B	13 Wiper Ring	Rubber (BUNA N)	D 2000 BK 707
6 Stem Nut	Bronze	B62	14 O-Ring A	Rubber (BUNA N)	D 2000 BK 707
7 Washer	Bronze	B21	15 O-Ring B	Rubber (BUNA N)	D 2000 BK 707
8 Stem	Bronze	B21	16 O-Ring C	Rubber (BUNA N)	D 2000 BK 707

