

TNS-100PB TUB & SHOWER SET

PRESSURE BALANCING VALVE



Product Spec Sheet



FEATURES & BENEFITS

- ❖ Scald Guard
- ❖ Pressure Balanced
- ❖ Temperature Limit Stop
- ❖ European Styling
- ❖ Ceramic Cartridge
- ❖ Brass Waterway
- ❖ Integral Stops
- ❖ Massage Shower Head
- ❖ C.P. Brass Shower Arm
- ❖ Die Cast Zinc Tub Spout
- ❖ Metal Loop Handle
- ❖ Available For Back-to-Back Installations: Order Product TNS-100PBW
- ❖ Available As Shower Only: Order Product TNS 100SPB



BREWSTER: TEL: 800-431-2082 FAX: 800-640-2252

HOUSTON: TEL: 800-935-5456 FAX: 800-683-4247

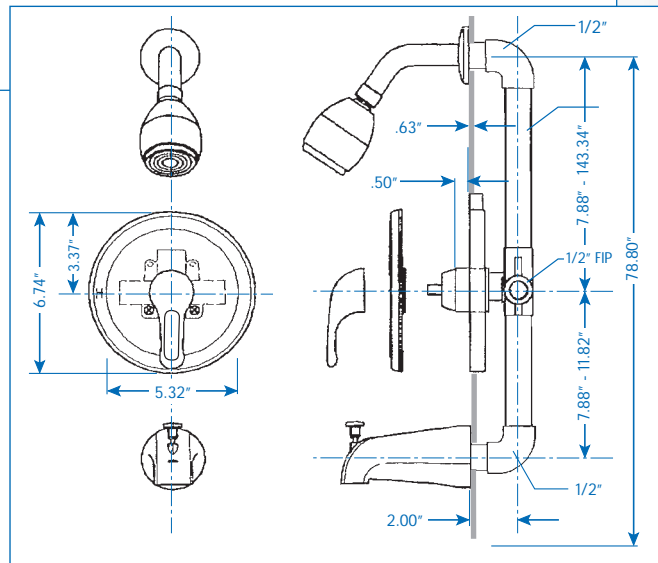
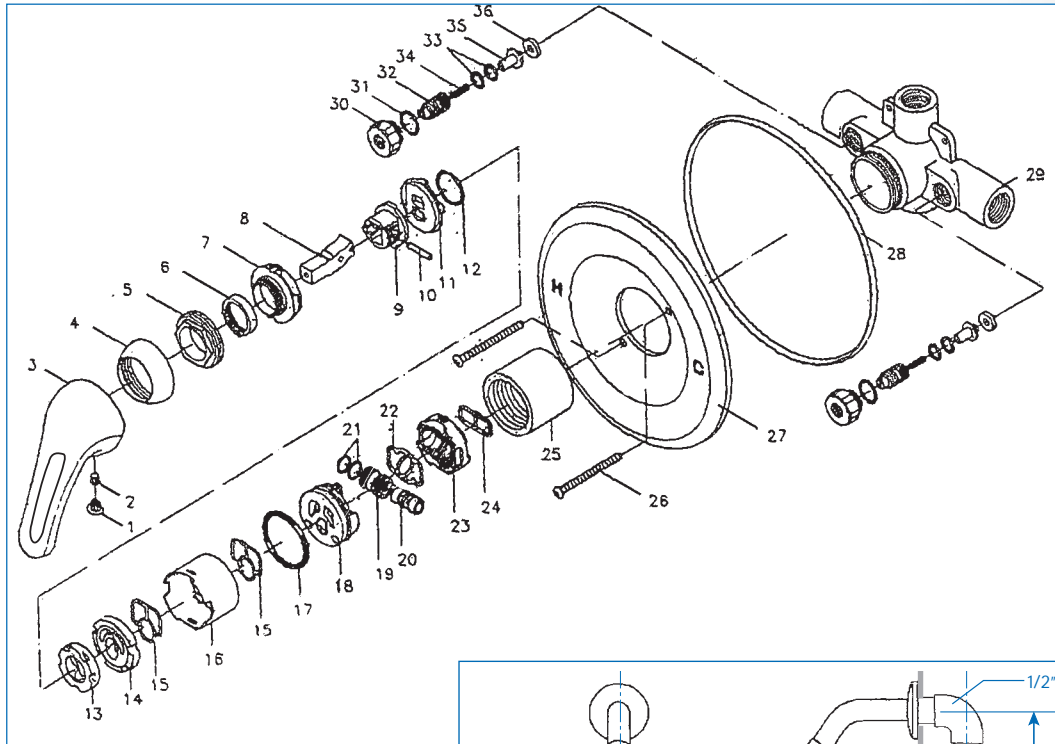
PREVIOUS

Click The Product Name Below To Return To That Index
BRASS & BRONZE VALVES CAST IRON VALVES FAUCETS

NEXT

Click Here For
DRAWINGS & DIMENSIONS

TNS-100PB TUB & SHOWER SET



No.	Part Title	Material
1	Indicator	Plastic
2	Screw	S.S. #304
3	Handle	Zinc
4	Cap	ABS
5	Adjusting Ring	Brass
6	Temperature Limiter	Plastic
7	Ceramic Cover	Plastic
8	Slide Axis	Plastic
9	Spindle	Plastic
10	Pin	S.S. #304
11	Slide Cover	Plastic
12	O-Ring	Silicon
13	Accurate Ceramic	Ceramic
14	Accurate Ceramic	Ceramic
15	O-Ring	Silicon
16	Ceramic Body	Ceramic
17	O-Ring	NBR
18	Balance Cover	Plastic
19	Balance Device Body	Brass
20	Balance Device Shuttle	Brass
21	O-Ring	NBR
22	O-Ring	Silicon
23	Balance Seat	Plastic
24	O-Ring	Silicon
25	Hub	Brass
26	Screw	Brass
27	Escutcheon	Brass

No.	Part Title	Material
28	Gasket	NBR
29	Body	Bronze
30	Cover Stem	Brass
31	O-Ring	NBR
32	Spindle	Brass
33	O-Ring	NBR
34	Spring	S.S. #304
35	Seat	Brass
36	Washer	NBR

Product Specs



BREWSTER: TEL: 800-431-2082 FAX: 800-640-2252

HOUSTON: TEL: 800-935-5456 FAX: 800-683-4247

PREVIOUS

Click The Product Name Below To Return To That Index
[BRASS & BRONZE VALVES](#) [CAST IRON VALVES](#) [FAUCETS](#)

NEXT

Click Here For
[PHOTO & FEATURES](#)