

VE-240CG Kitchen Faucet • Spec Sheet

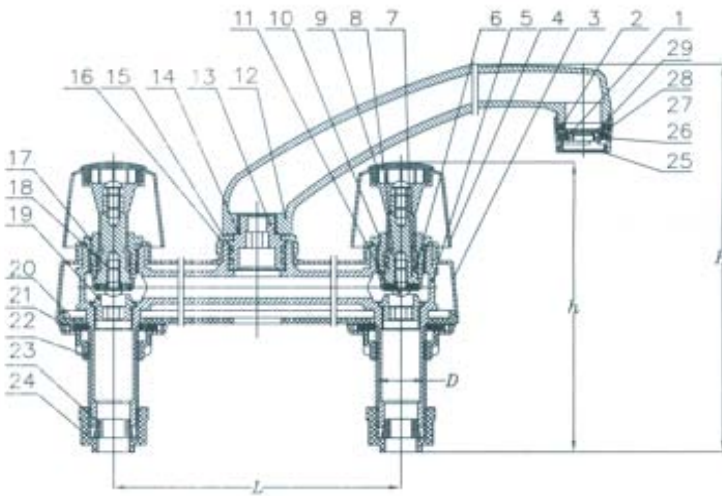


FEATURES & BENEFITS

- Gerber Style Wing Handles
- Compression Valve
- Heavy Pattern
- 3 Hole
- Chrome

MATERIAL SPECIFICATIONS

No.	Part	Qty. (PCS)	Material
1	Spout	1	Brass
2	Spout Insert	1	NBR
3	Panel	1	Zinc
4	Handle	2	Zinc
5	Body	1	Brass
6	O Ring	4	NBR
7	Stem	1	Brass
8	Screw	4	Brass
9	Handle Esc.	2	ABS
10	Press Nut	1	Brass
11	Stop Insert	2	NBR
12	Spout	1	Brass
13	Swing Insert	1	Brass
14	O Ring	1	NBR
15	O Ring	1	NBR
16	Swing Nut	1	Brass
17	Stern	1	Brass
18	Press Nut	1	Brass
19	Seal Nut	2	Brass
20	Panel	1	Plastic
21	Insert	2	NBR
22	Infall Nut	2	ABS
23	Subulate Rubber	2	Rubber
24	Connect Nut	2	ABS
25	Steel Wire Mesh	1	Steel Wire
26	Steel Wire Seat	1	ABS
27	Connect Slice	1	ABS
28	Plastic Cover	1	ABS
29	Plastic Slice	1	ABS



DIMENSIONS

Nominal Size	D	H	L	h
8"	NPSM 1/2"	6.70	8.00	4.57


MATCO-NORCA
 Global sourcing. National compliance. Local service.

CALIFORNIA 5593 Fresca Dr., La Palma CA 90623 • Toll Free: 866-532-8306 • Fax: 866-532-8307
TEXAS 1150 Silber Rd., Houston TX 77055 • Toll Free: 800-935-5456 • Fax: 713-680-2999
NEW YORK PO Box 27, Rt. 22, Brewster NY 10509 • Toll Free: 800-431-2082 • Fax: 845-278-9056
 WEB: www.matco-norca.com EMAIL: mail@matco-norca.com