

TNS-782WS

Two Handle Tub & Shower Faucet



TWO HANDLE TUB & SHOWER FAUCET



Product Spec Sheet

FEATURES & BENEFITS

- Acrylic Round Handles
- Washerless Cartridge
- Plastic Shower Set
- Zinc Die Cast Spout
- Max Flow Rate 2.5 GPM at 80 PSI
- Chrome Finish

TNS-782WS
Tub & Shower Faucet

TNS-782SWS
Shower Only

TNS-782TWS
Tub Filler Only

Approvals:

Meets or Exceeds The Following:

- * ANSI/ASME A112.18.1
- * CSA B125.1
- * IAPMO/UPC



BREWSTER, NY: TEL: 800-431-2082
HOUSTON, TX: TEL: 800-935-5456
LA PALMA, CA: TEL: 866-532-8306

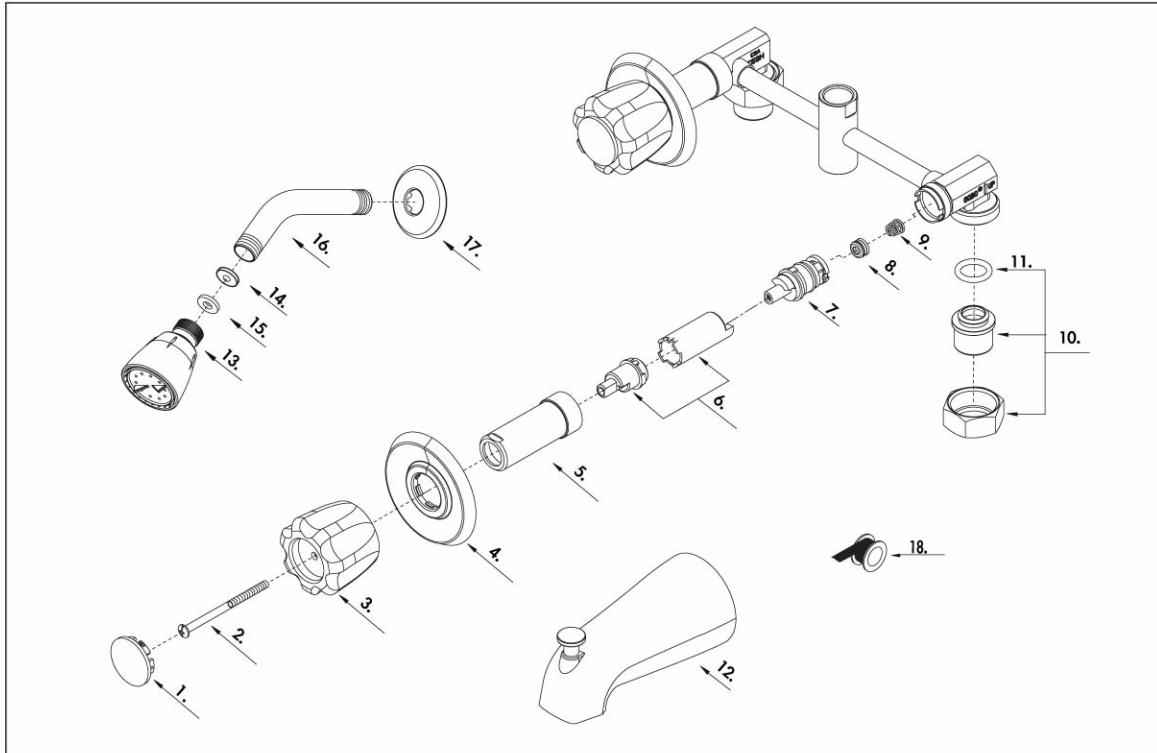
FAX: 800-640-2252
FAX: 800-683-4247
FAX: 866-832-8307

Visit Our Web Site : www.matco-norca.com

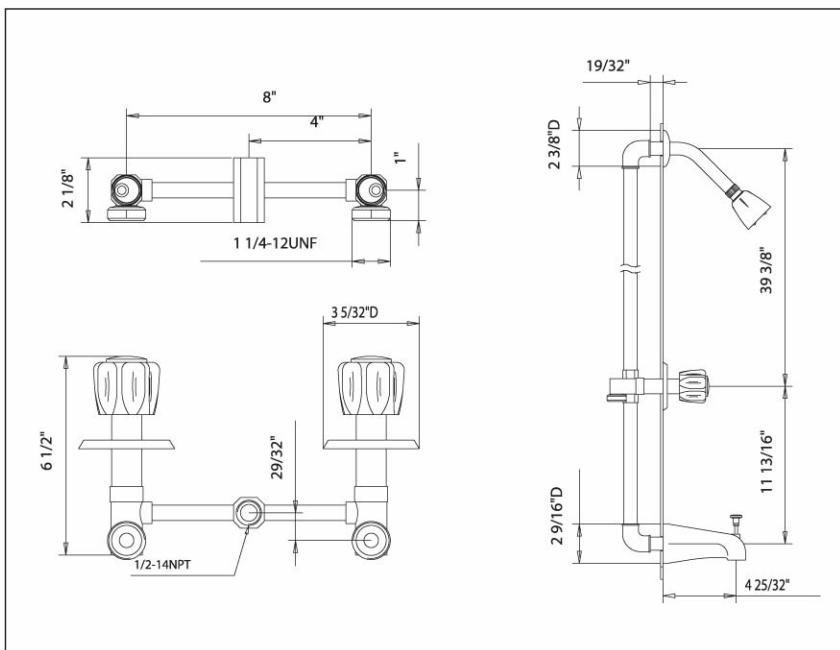
TNS-782WS Two Handle Tub & Shower Faucet



Product Spec Sheet



No	Part Title	Material	No	Part Title	Material	No	Part Title	Material
1	Index Button	Plastic	7	Washerless Cartridge	Plastic & Brass	13	Shower Head	Plastic
2	Screw	Steel	8	Seat	Teflon	14	Seal	Rubber
3	Acrylic Handle	Plastic	9	Spring	Steel	15	Flow Restrictor	Plastic
4	Escutcheon	Brass	10	Union Nut	Plastic & Brass	16	Shower Arm	Brass
5	Sleeve	Brass	11	O-Ring	Rubber	17	Shower Arm Flange	Brass
6	Stem Extension	Plastic	12	Spout W/Diverter	Zinc Alloy	18	Pipe Tape	Plastic



TNS-782WS
Tub & Shower Faucet

TNS-782SWS
Shower Only

TNS-782TWS
Tub Filler Only

Approvals:
Meets or Exceeds The Following:

- * ANSI/ASME A112.18.1
- * CSA B125.1
- * IAPMO/UPC



BREWSTER, NY: P.O. BOX 27 Route 22 Brewster, NY 10509
HOUSTON, TX: 1150 Silber Road Houston, TX 77055
LA PALMA, CA: 5593 Fresca Drive La Palma, CA 90623

Visit Our Web Site : www.matco-norca.com