

**TNS-782S**

# **Two Handle Shower Faucet**



## **TWO HANDLE SHOWER FAUCET**



# **Product Spec Sheet**

### **FEATURES & BENEFITS**

- Compression Cartridge
- Metal Round Handles
- Brass Shower Head, Arm and Flange
- Max Flow Rate 2.5 GPM at 80 PSI
- Chrome Finish

Approvals:

**Meets or Exceeds The Following:**

\* ANSI/ASME A112.18.1

\* CSA B125.1

\* IAPMO/UPC



**BREWSTER, NY: TEL: 800-431-2082**  
**HOUSTON, TX: TEL: 800-935-5456**  
**LA PALMA, CA: TEL: 866-532-8306**

**FAX: 800-640-2252**  
**FAX: 800-683-4247**  
**FAX: 866-832-8307**

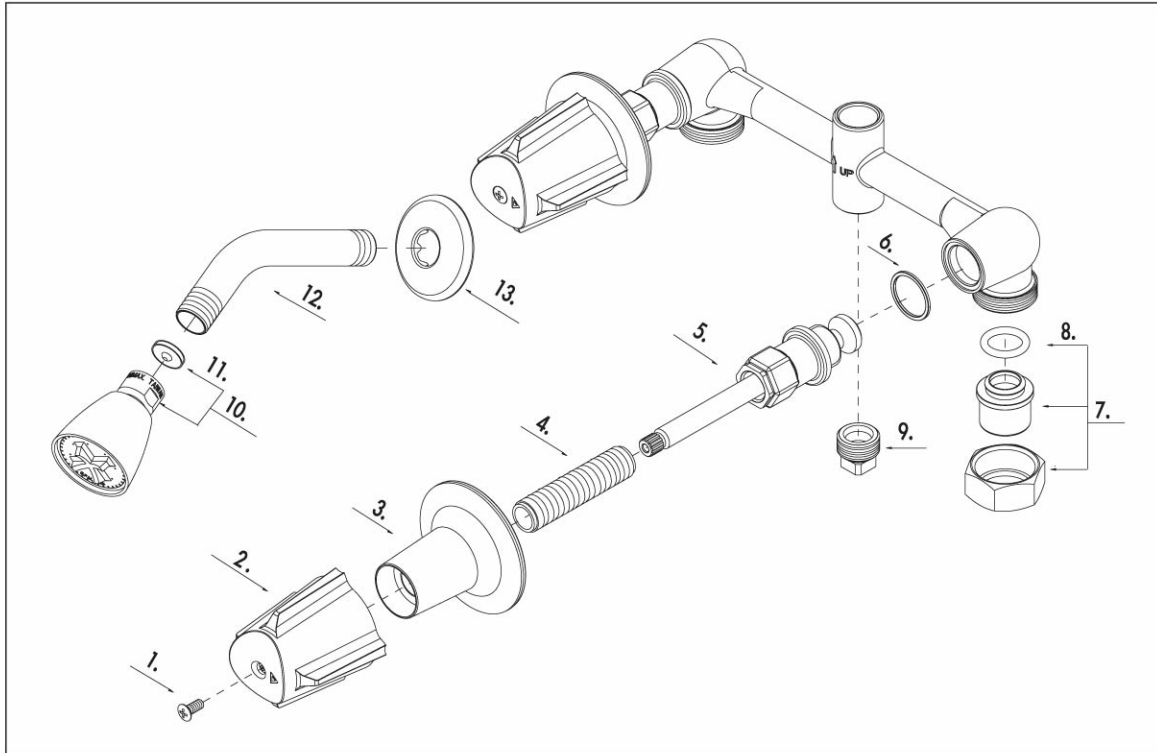
Visit Our Web Site : [www.matco-norca.com](http://www.matco-norca.com)

# TNS-782S

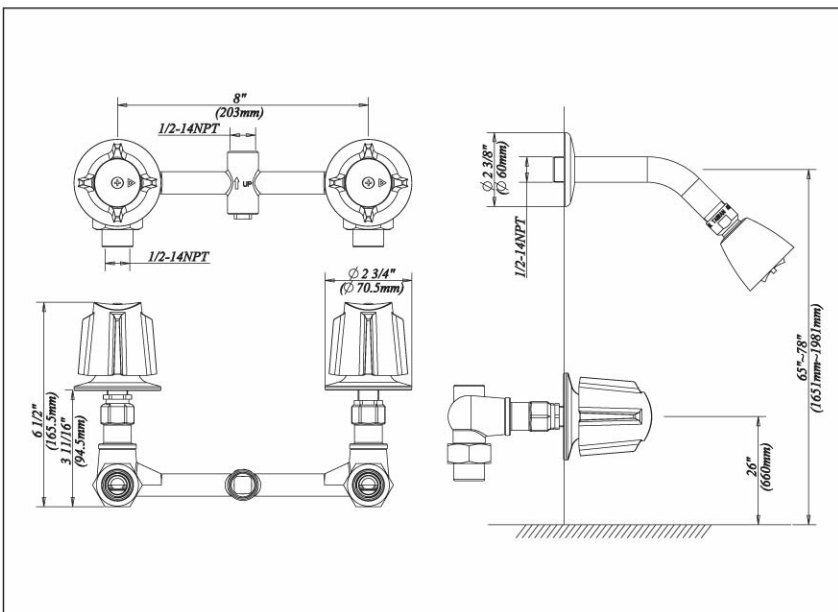
## Two Handle Shower Faucet



# Product Spec Sheet



No	Part Title	Material	No	Part Title	Material
1	Screw	Brass	8	O-Ring	Rubber
2	Metal Handle	Zinc Alloy	9	Plug	Plastic
3	Escutcheon	Zinc Alloy	10	Shower Head	Brass
4	Threaded	Brass	11	Flow Restrictor	Plastic
5	Compression Cartridge	Brass	12	Shower Arm	Brass
6	Washer	Rubber	13	Shower Arm Flange	Brass
7	Union Nut	Brass			



Approvals:  
Meets or Exceeds The Following:

- \* ANSI/ASME A112.18.1
- \* CSA B125.1
- \* IAPMO/UPC

BREWSTER, NY: P.O. BOX 27 Route 22 Brewster, NY 10509  
HOUSTON, TX: 1150 Silber Road Houston, TX 77055  
LA PALMA, CA: 5593 Fresca Drive La Palma, CA 90623

Visit Our Web Site : [www.matco-norca.com](http://www.matco-norca.com)