

TNS-100PBWSL TUB & SHOWER SET



Product Spec Sheet



FEATURES & BENEFITS

- ❖ Pressure Balanced
- ❖ Scald Guard
- ❖ Adjustable Temperature Limit Stop
- ❖ European Styling
- ❖ Brass Waterway
- ❖ Integral Stops
- ❖ C.P. Brass Shower Arm
- ❖ Die Cast Zinc Tub Spout
- ❖ Solid Lever Handle
- ❖ Cartridge Reversible For Back-to-Back Installations
- ❖ Available In Job Packaging
- ❖ 100% Factory Pressure Tested Before Shipment

ALSO AVAILABLE:

TNS-100PBWCL - With Sweat Connection

TNS-100SPBWCL - As Shower Only

TNS-100PBWSLS - With Brushed Nickel Finish



BREWSTER, NY: TEL: 800-431-2082 **FAX:** 914-278-9056
HOUSTON, TX: TEL: 800-935-5456 **FAX:** 800-683-4247
LAPALMA, CA: TEL: 866-532-8306 **FAX:** 866-832-8307

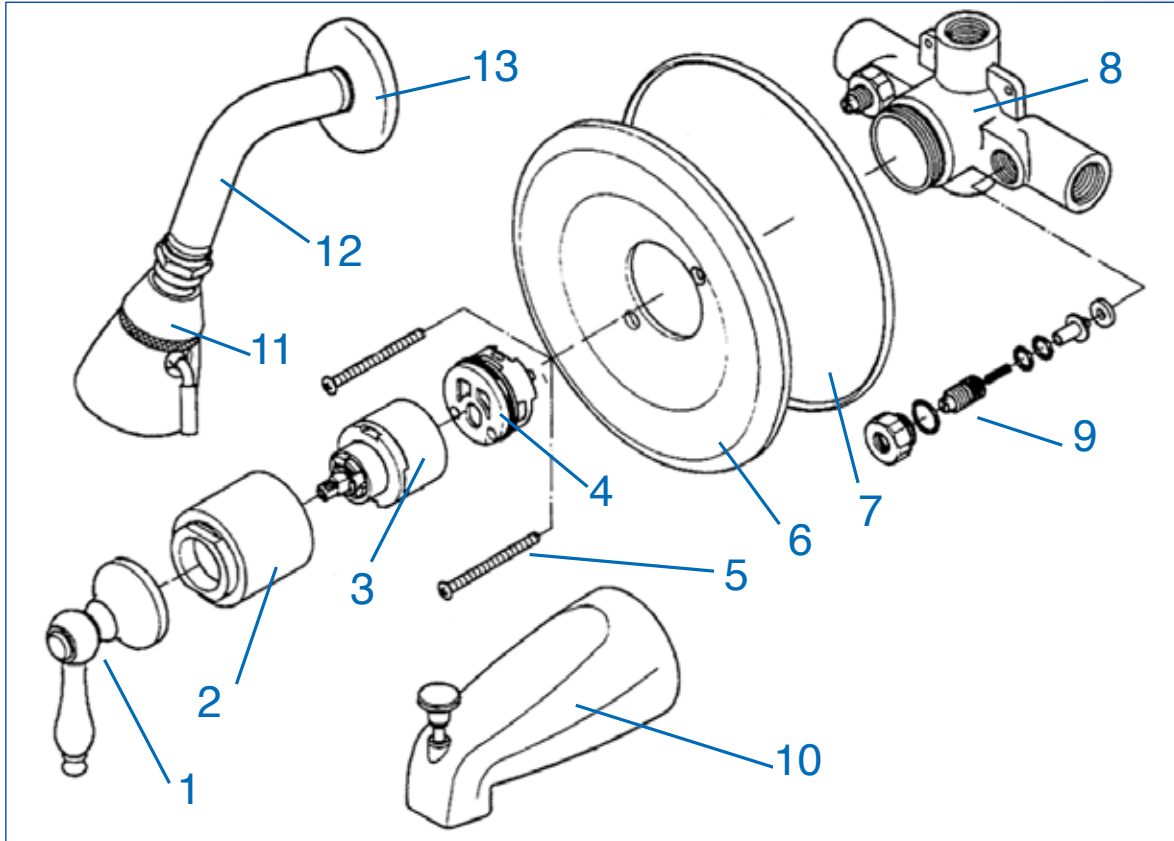
Visit Our Web Site: www.matco-norca.com

11/16/05

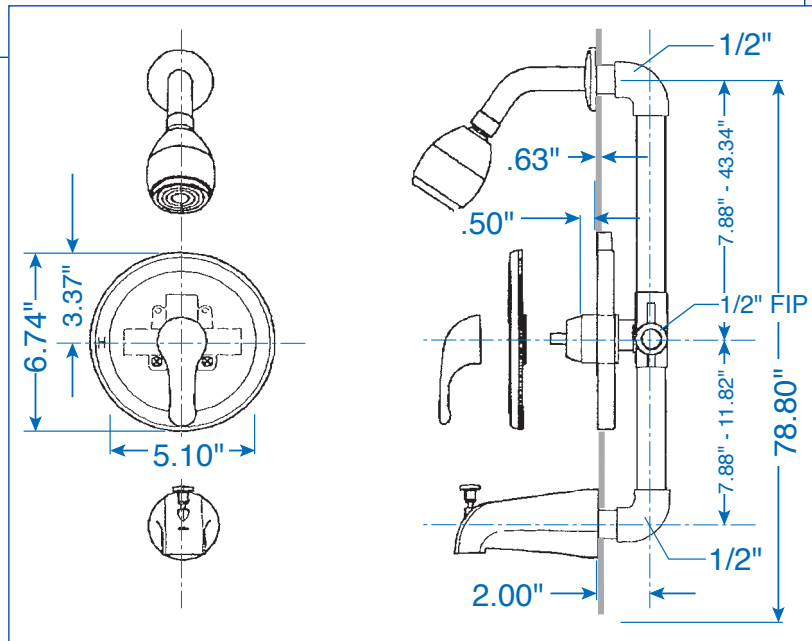
DESIGNED & PRODUCED BY JCM ADVERTISING.COM

TNS-100PBWSL TUB & SHOWER SET

MATCO-NORCA™



No.	Part Title	Material
1	Lever Handle	Brass
2	Hub	Brass
3	Cartridge	Brass/Plastic
4	Balancing Spool Assembly	SS, Noryl+Fiber
5	Screws	Brass
6	Escutcheon	Brass
7	O-Ring	PVC
8	Body	Brass
9	Stop Valve	Brass
10	Spout	Zinc
11	Showerhead	Brass
12	Shower Arm	Brass
13	Flange	Brass



Product Spec Sheet

11/16/05

DESIGNED & PRODUCED BY JCM ADVERTISING.COM



BREWSTER, NY: P.O. Box 27 Route 22 Brewster, NY 10509
HOUSTON, TX: 1150 Silber Road Houston, TX 77055
LAPALMA, CT: 5593 Fresca Drive La Palma, CA 90623

Visit Our Web Site: www.matco-norca.com