

TNS-100PB-BW & TNS-100PB-BWC • Spec Sheet



PRESSURE BALANCED TUB & SHOWER VALVE BODY & TRIM

FEATURES & BENEFITS:

Valve Body:

TNS-100PB-BW

- IPS Connections
- Washerless Cartridge
- Brass Waterway
- Pressure Balanced
- Temperature Limit Stops
- Chrome Plated Brass Shower Arm
- Integral Stops

TNS-100PB-BWC

- Same as TNS-100PB-BW unit with Sweat Connections

Use with Trim:

TNS-101PB-TWSL

- Washerless Cartridge
- Chrome Plated Brass Shower Arm
- Chrome Plated Brass Shower Escutcheon
- Escutcheon Plate & Screws
- Escutcheon Gasket
- Solid Lever Handle

ADD:

Showerhead-

- S-125- Chrome Plated Plastic Showerhead (Not Shown)
- M-350- Massage Shower Head

Spout-

- FY-804DC- Die Cast Zinc Tub Diverter Slip Spout
- FY-801DC- Die Cast Zinc Tub Diverter 1/2" IPS Spout

Also Available In Brushed Nickel Finish:

Trim- TNS-100PB-TWLSR (Includes Showerhead)

Showerhead-

- M-350S

Spout-

- FY-804DCS
- FY-801DCS

 **MATCO-NORCA**

Global sourcing. National compliance. Local service.

NEW YORK
TEXAS
CALIFORNIA

WEB: www.matco-norca.com

PO Box 27, Rt. 22, Brewster NY 10509 • Toll Free: 800-431-2082 • Fax: 845-278-9056

1150 Silber Rd., Houston TX 77055 • Toll Free: 800-935-5456 • Fax: 713-680-2999

5593 Fresca Dr., La Palma CA 90623 • Toll Free: 866-532-8306 • Fax: 714-522-3828

EMAIL: mail@matco-norca.com

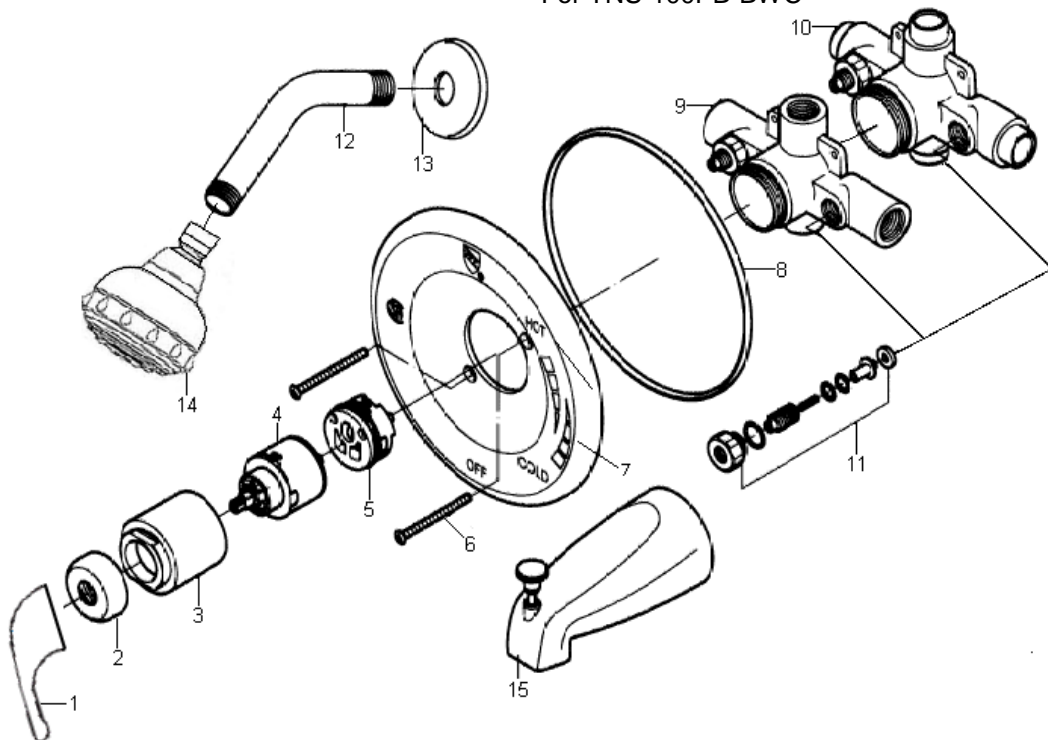
TNS-100PB-BW & TNS-100PB-BWC • Spec Sheet

MATERIAL SPECIFICATIONS

No.	Parts	Material	No.	Parts	Material
1	Handle	Zinc	9	Body- IPS *1	Bronze
2	Cap	ABS	10	Body- Sweat *2	Bronze
3	Hub Seat	Brass	11	Cover Stem	Brass
4	Cartridge	Ceramic	12	Shower Arm	Brass
5	Balance Spool	Noryl Fiber	13	Flange	Brass
6	Screw	Brass	14	Shower	Chrome
7	Escutcheon	Brass	15	Spout	Chrome
8	Gasket	PVC			

*1 For TNS-100PB-BW

*2 For TNS-100PB-BWC



MATCO-NORCA

Global sourcing. National compliance. Local service.

NEW YORK
TEXAS
CALIFORNIA

WEB: www.matco-norca.com

PO Box 27, Rt. 22, Brewster NY 10509 • Toll Free: 800-431-2082 • Fax: 845-278-9056
1150 Silber Rd., Houston TX 77055 • Toll Free: 800-935-5456 • Fax: 713-680-2999
5593 Fresca Dr., La Palma CA 90623 • Toll Free: 866-532-8306 • Fax: 714-522-3828

EMAIL: mail@matco-norca.com