

TNS-100D

Single Handle Tub And Shower Faucet



SINGLE HANDLE TUB AND SHOWER FAUCET



Product Spec Sheet

FEATURES & BENEFITS

- Single Metal Lever Handle
- Threaded Die Cast Diverter Spout
- Stainless Steel Ball Valve
- Chrome Plated Shower Arm & Showerhead
- IPS Connection
- Max Flow Rate 2.5 GPM at 80 PSI
- Chrome Finish
- Available as Shower Only:
Order Product Number TNS-100SD

* TNS-100D
Chrome Finish

Approvals:

Meets or Exceeds The Following:

- * ANSI/ASME A112.18.1
- * CSA B125.1
- * IAPMO/UPC
- * ADA



BREWSTER, NY: TEL: 800-431-2082
HOUSTON, TX: TEL: 800-935-5456
LA PALMA, CA: TEL: 866-532-8306

FAX: 800-640-2252
FAX: 800-683-4247
FAX: 866-832-8307

Visit Our Web Site : www.matco-norca.com

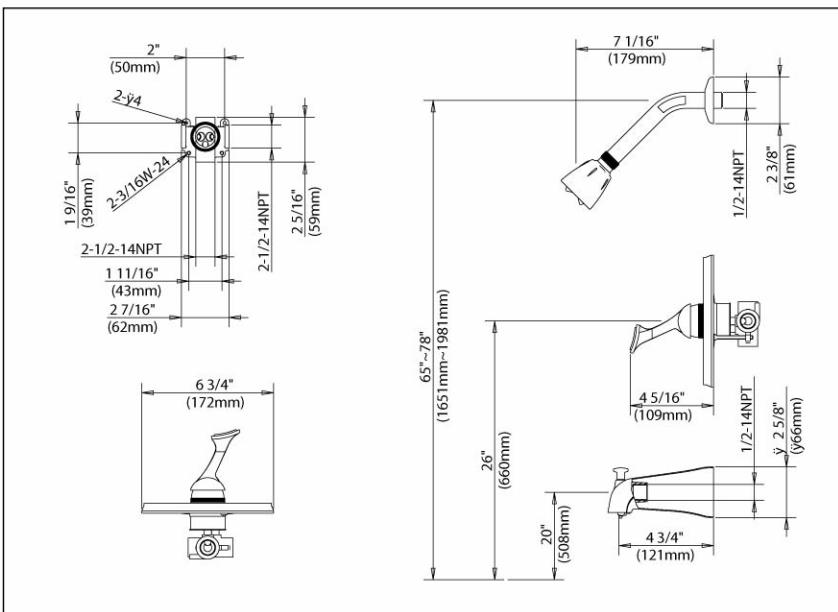
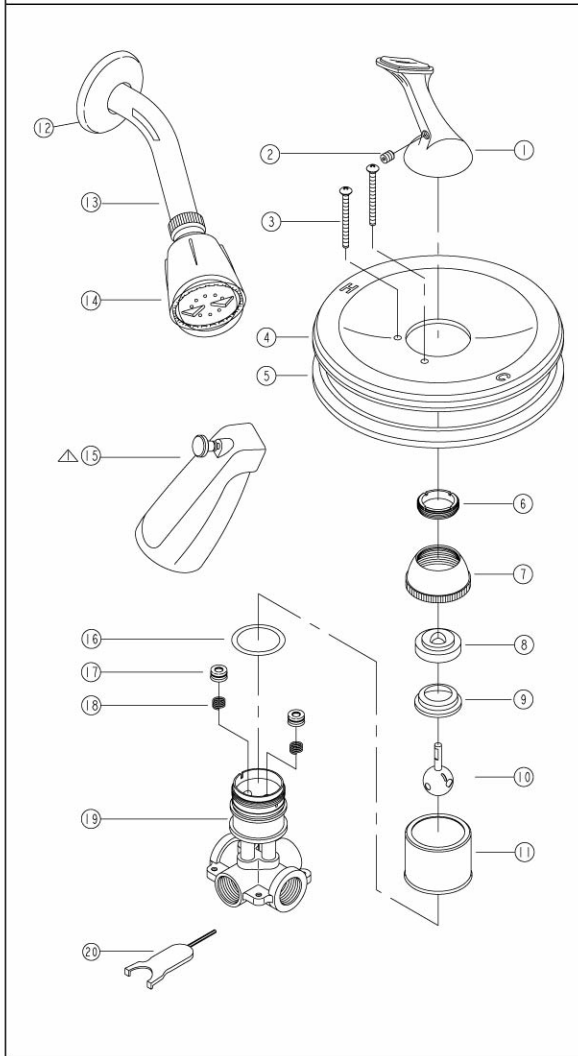
TNS-100D

Single Handle Tub And Shower Faucet



Product Spec Sheet

No	Part Title	Material
1	Handle	Zinc
2	Screw	Steel
3	Screw	Steel
4	Escutcheon	Brass
5	Seal	Plastic
6	Adjusting Ring	Brass
7	Cap	Zinc
8	Washer	Plastic
9	Teflon	Teflon
10	Ball Valve	S.S Steel
11	Sleeve	Brass
12	Flange	Brass
13	Shower Arm	Brass
14	Showerhead	Plastic
15	Spout	Zinc
16	O-Ring	Rubber
17	Seat	Rubber
18	Spring	Steel
19	Valve Body	Brass
20	Wrench	Steel



Approvals:
Meets or Exceeds The Following:

- * ANSI/ASME A112.18.1
- * CSA B125.1
- * IAPMO/UPC
- * ADA

BREWSTER, NY: P.O. BOX 27 Route 22 Brewster, NY 10509
HOUSTON, TX: 1150 Silber Road Houston, TX 77055
LA PALMA, CA: 5593 Fresca Drive La Palma, CA 90623

Visit Our Web Site : www.matco-norca.com