

RQ-800 RESTAURANT QUALITY FAUCET

RESTAURANT QUALITY - HEAVY DUTY



Product Spec Sheet



FEATURES & BENEFITS

- ❖ All Brass Construction
- ❖ Extra Heavy
- ❖ Red & Blue Buttons
- ❖ Brass Supply Nuts
- ❖ RQ-808: 8" Cast Spout
- ❖ RQ-812: 12" Cast Spout
- ❖ RQ-816: 16" Cast Spout



BREWSTER: TEL: 800-431-2082 FAX: 800-640-2252

HOUSTON: TEL: 800-935-5456 FAX: 800-683-4247

PREVIOUS



Product Name Below To Return To That Index

VALVES

CAST IRON VALVES

FAUCETS



NEXT

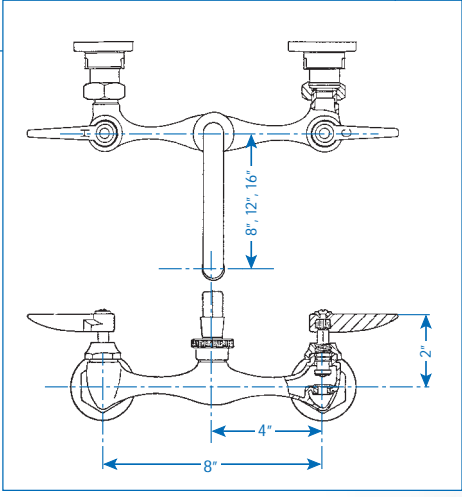
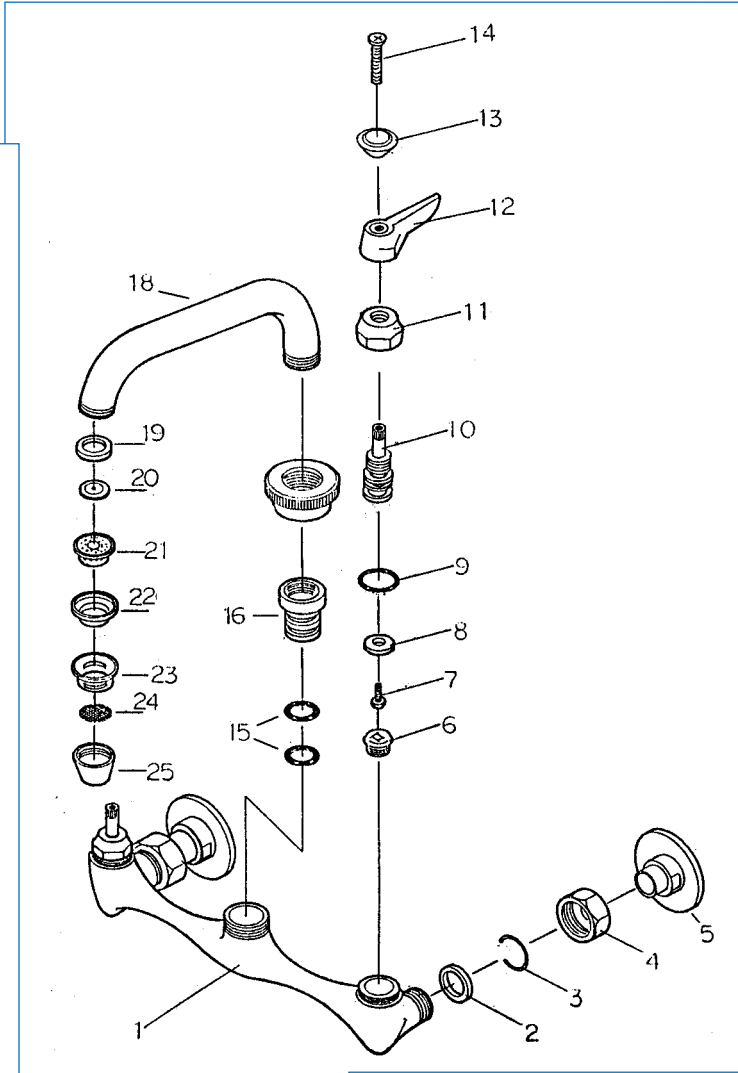
Click Here For
DRAWINGS & DIMENSIONS

RQ-800 RESTAURANT QUALITY FAUCET



Product Spec Sheet

No.	Part Title	Material
1	Body	Brass C37700
2	Washer	NBR CY-N67015
3	O-Ring	S.S. 304
4	Brass Nut	Brass C37700
5	Flange Nut	Brass C37700
6	Seat	Brass C37700
7	Screw	Brass C37700
8	Seat Washer	NBR CY-N67015
9	O-Ring	NBR CY-N67015
10	Stem Cold Stem - Hot	Brass C37700 Brass C37700
11	Bonnet - Cold Bonnet - Hot	Brass C37700 Brass C37700
12	Handle - Cold Handle - Hot	Zinc Zinc
13	Index - Cold Index - Hot	ABS ABS
14	Screw	Brass C37700
15	O-Ring	NBR CY-N67015
16	Extension Hub	Brass C37700
17	Spout Nut	Brass C37700
18	Spout	Brass C37700
19	Packing	NBR CY-N67015
20	Washer	Celcon M90 Natural CF-2001
21	Louver	Celcon M90 Natural CF-2001
22	Flange	Celcon M90 Natural CF-2001
23	Filter Lath	S.S. 304
24	Inner Race	Celcon M90 Natural CF-2001
25	Aerator Cap	Brass C37700



RQ-808 - 8" Cast Spout
RQ-812 - 12" Spout
RQ-816 - 16" Spout



BREWSTER: TEL: 800-431-2082 FAX: 800-640-2252 **HOUSTON:** TEL: 800-935-5456 FAX: 800-683-4247