

- PO-400C**
- PO-400BN**
- PO-400CL**



4" Two Handle Lavatory Faucet



Product Spec Sheet

FEATURES & BENEFITS

- This Product Contains Less Than 0.25% Weighted Average Lead Content On Wetted Surfaces
- Metal Lever Handles
- Ceramic Cartridges
- Brass Pop-up
- Max Flow Rate 1.2 GPM (4.5 L/MIN) At 60 PSI (ASME A112.18.1M/A112.18.1)

PO-400C
Chrome Finish

PO-400BN
Brushed Nickel Finish

PO-400CL
Less Pop-up
Chrome Finish

APPROVALS:

Meets or Exceeds The Following:

- * ANSI/ASME A112.18.1M/A112.18.1
- * NSF/ANSI 61 - Sec. 9
- * NSF/ANSI 372
- * IAPMO/cUPC
- * CA AB1953



NSF/ANSI 372
NSF/ANSI 61-9



CALIFORNIA:
TEXAS:
NEW YORK:

TEL: 866-532-8306
TEL: 800-935-5456
TEL: 800-431-2082

FAX: 866-532-8307
FAX: 800-683-4247
FAX: 800-640-2252

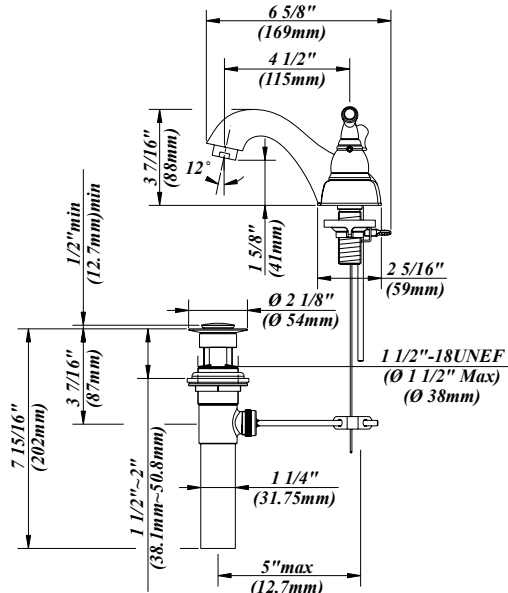
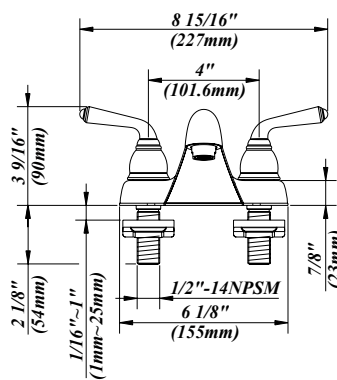
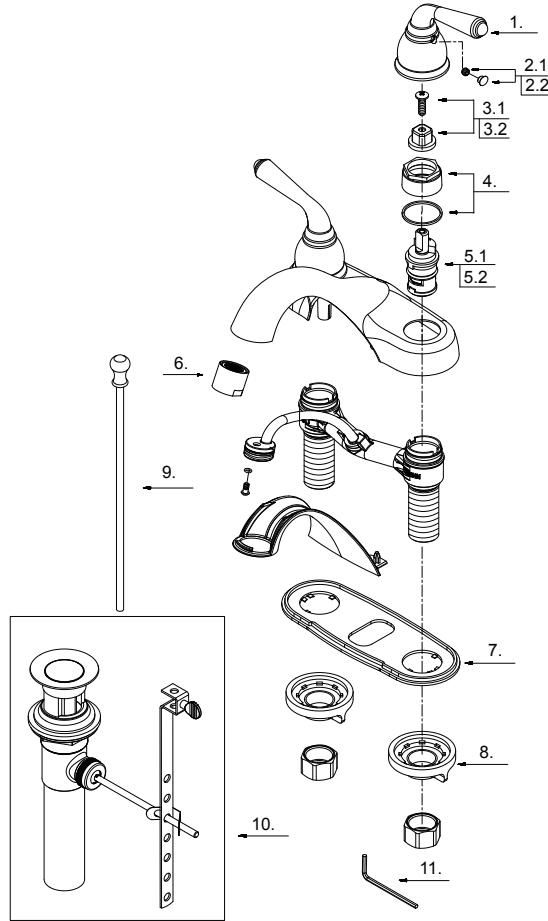
Visit Our Web Site : www.matco-norca.com

PO-400C **PO-400BN**
 PO-400CL



4" Two Handle Lavatory Faucet

No.	Name	Part No.
1	Metal Handle	A069131
2.1	Index Button-Cold	A66D654C
2.2	Index Button-Hot	A66D654H
3.1	Handle Adaptor-Cold	A66D574C
3.2	Handle Adaptor-Hot	A66D574H
4	Retainer Nut	A663631
5.1	Ceramic Disc Cartridge-Cold	A507104N
5.2	Ceramic Disc Cartridge-Hot	A507103N
6	Aerator	A500124N-55
7	Putty Plate	A011005
8	Lock Nut Set	A504023
9	Lift Rod	A025080
10	Pop-up Assembly	A556200
11	Hex Wrench (H2.5 * 19 mm L * 53 mm L)	A031000NI



Product Spec Sheet

CALIFORNIA:
TEXAS:
NEW YORK:

TEL: 866-532-8306
TEL: 800-935-5456
TEL: 800-431-2082

FAX: 866-532-8307
FAX: 800-683-4247
FAX: 800-640-2252

Visit Our Web Site : www.matco-norca.com