

FY-999WB laundry Faucet • Spec Sheet

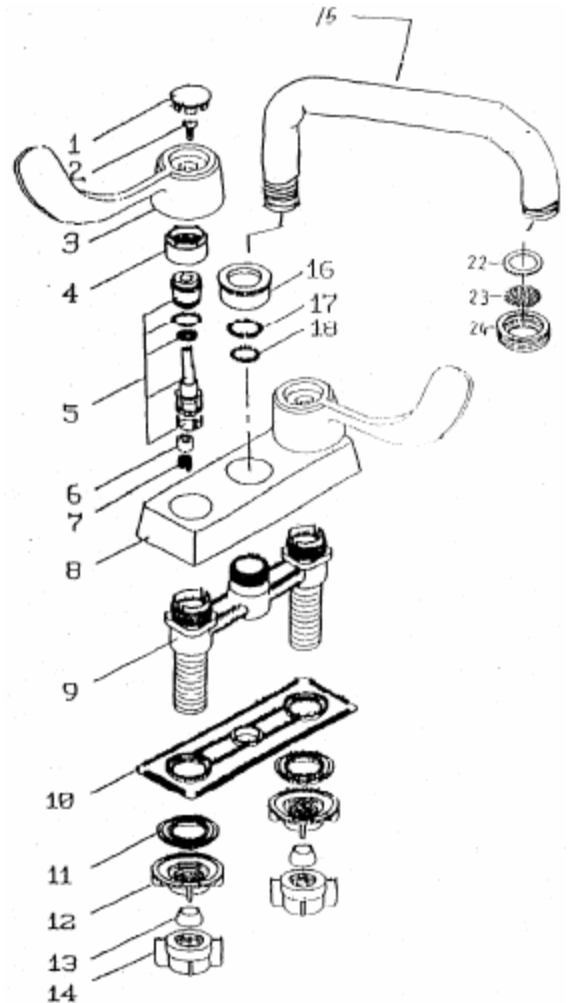


FEATURES & BENEFITS

- ADA & UPC Approved
- Washerless Cartridge
- 4" Centers Chrome Plated
- Two Wrist Blade Handles
- 6" Spout
- ANSI/ ASME A112.18.1
- CSA B 125
- ANSI/ NSF 61 – Sec. 9
- IAPMO

MATERIAL SPECIFICATIONS

No.	Part	Material
1	Button	Plastic
2	Screw	Stainless
3	Handle	Zinc
4	Stem Shell	Zinc
5	Cartridge Assembly	-
6	Seal	Rubber
7	Seal Spring	Stainless
8	Housing	Brass
9	Body	Brass
10	Bottom Plate	Plastic
11	Washer	Rubber
12	Lock Nut	Plastic
13	Cone Washer	Rubber
14	Tail Piece	Plastic
15	Spout	Brass
16	Nut	Brass
17	O - Clip	Plastic
18	O - Ring	Rubber
19	Aerator Assembly (Not Shown)	-
20	Washer	Rubber
21	Filter Net	Steel
22	Aerator Cap	Brass CP



MATCO-NORCA
Global sourcing. National compliance. Local service.

NEW YORK
TEXAS
CALIFORNIA

PO Box 27, Rt. 22, Brewster NY 10509 • Toll Free: 800-431-2082 • Fax: 845-278-9056
1150 Silber Rd., Houston TX 77055 • Toll Free: 800-935-5456 • Fax: 713-680-2999
5593 Fresca Dr., La Palma CA 90623 • Toll Free: 866-532-8306 • Fax: 866-532-8307

WEB: www.matco-norca.com

EMAIL: mail@matco-norca.com