

FY-990 BAR FAUCET



FEATURES & BENEFITS

Chrome Plated All Brass Construction
ADA Compliant Centers

Water Saving Aerator

Polished Chrome Spout

Chrome Plate

Wrist Blade Handles

Hot & Cold Buttons

Wide Waterway

Max Flow Rate: 2.2GPM @ 60psi

100% Factory Pressure Tested

Ready for Shipment



APPROVALS:

Meets or Exceeds
The Following:

- ❖ ANSI/ASME A112.18.1
- ❖ CSA B125
- ❖ ANSI/NSF 61 - Sec. 9
- ❖ IAPMO/UPC

ALSO AVAILABLE:

FY-991WB
With Wristblade Handles

Product Specs Sheet



Brewster, NY
TEL: 800-431-2082
FAX: 800-640-2252

Houston, TX
TEL: 800-935-5456
FAX: 800-683-4247

La Palma, CA
TEL: 866-532-8306
FAX: 866-532-8307

Americus, GA
TEL: 800-433-7526
FAX: 800-533-5134

e-mail: mail@matco-norca.com

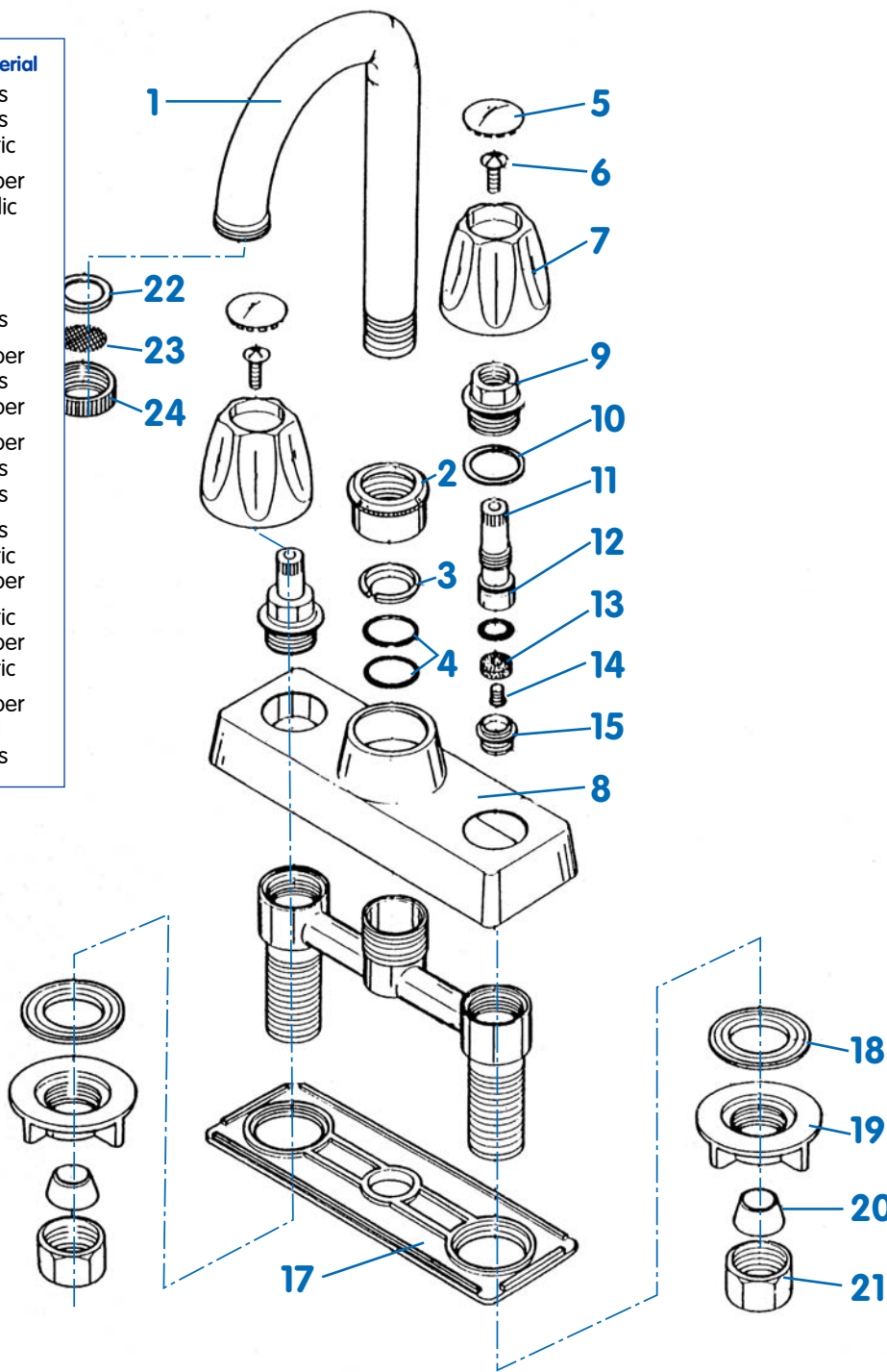
www.matco-norca.com

FY-990 BAR FAUCET



Designed & Produced By JCM Advertising - jcmadvertising.com

No.	Part Title	Material
1	Spout	Brass
2	Spout Cap	Brass
3	Packing	Plastic
4	O- Ring	Rubber
5	Index Button	Acrylic
6	Screw	Iron
7	Handle	Zinc
8	Housing	Zinc
9	Cover Stem	Brass
10	O- Ring	Rubber
11	Stem	Brass
12	O- Ring	Rubber
13	Seat	Rubber
14	Screw	Brass
15	Screw	Brass
16	Body	Brass
17	Button Cover	Plastic
18	Washer	Rubber
19	Lock Nut	Plastic
20	Cone Washer	Rubber
21	Copling Nut	Plastic
22	Washer	Rubber
23	Filter Net	Steel
24	Aerator Cap	Brass



Product Spec Sheet



Brewster, NY
 TEL: 800-431-2082
 FAX: 800-640-2252

Houston, TX
 TEL: 800-935-5456
 FAX: 800-683-4247

La Palma, CA
 TEL: 866-532-8306
 FAX: 866-532-8307

Americus, GA
 TEL: 800-433-7526
 FAX: 800-533-5134

e-mail: mail@matco-norca.com

www.matco-norca.com