

FY-985 LAUNDRY FAUCET

Product Specs Sheet



Hose Adapter

FEATURES & BENEFITS

- ❖ Chrome Plate Brass Laundry Tray Faucet
- ❖ 4" Centers
- ❖ 6" Tubular Spout
- ❖ Compression Stem
- ❖ Chrome Plate Canopy Handles
- ❖ Includes Aerator & Hose Adapter
- ❖ Brass Waterway
- ❖ Water Saving Aerator
- ❖ Max Flow Rate: 2.2GPM @ 60psi
- ❖ 100% Factory Pressure Tested Before Shipment

APPROVALS: Meets or Exceeds The Following:

- ❖ ANSI/ASME A112.18.1
- ❖ CSA B125
- ❖ ANSI/NSF 61 - Sec. 9
- ❖ IAPMO/UPC



ALSO AVAILABLE:

- FY-986 - With 8" Spout
- FY-987 - With 12" Spout



Brewster, NY
TEL: 800-431-2082
FAX: 800-640-2252

Houston, TX
TEL: 800-935-5456
FAX: 800-683-4247

La Palma, CA
TEL: 866-532-8306
FAX: 866-532-8307

Americus, GA
TEL: 800-433-7526
FAX: 800-533-5134

e-mail: mail@matco-norca.com

www.matco-norca.com

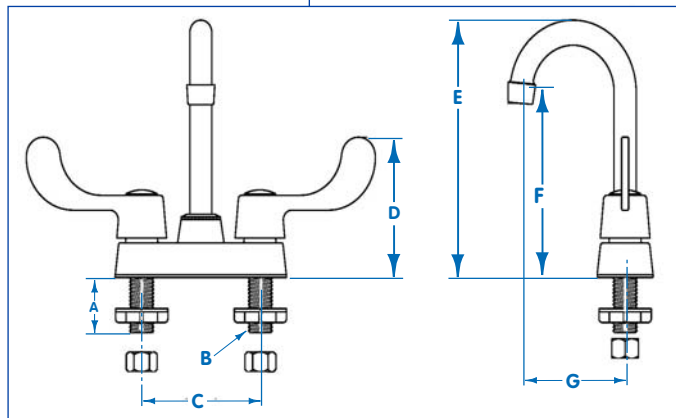
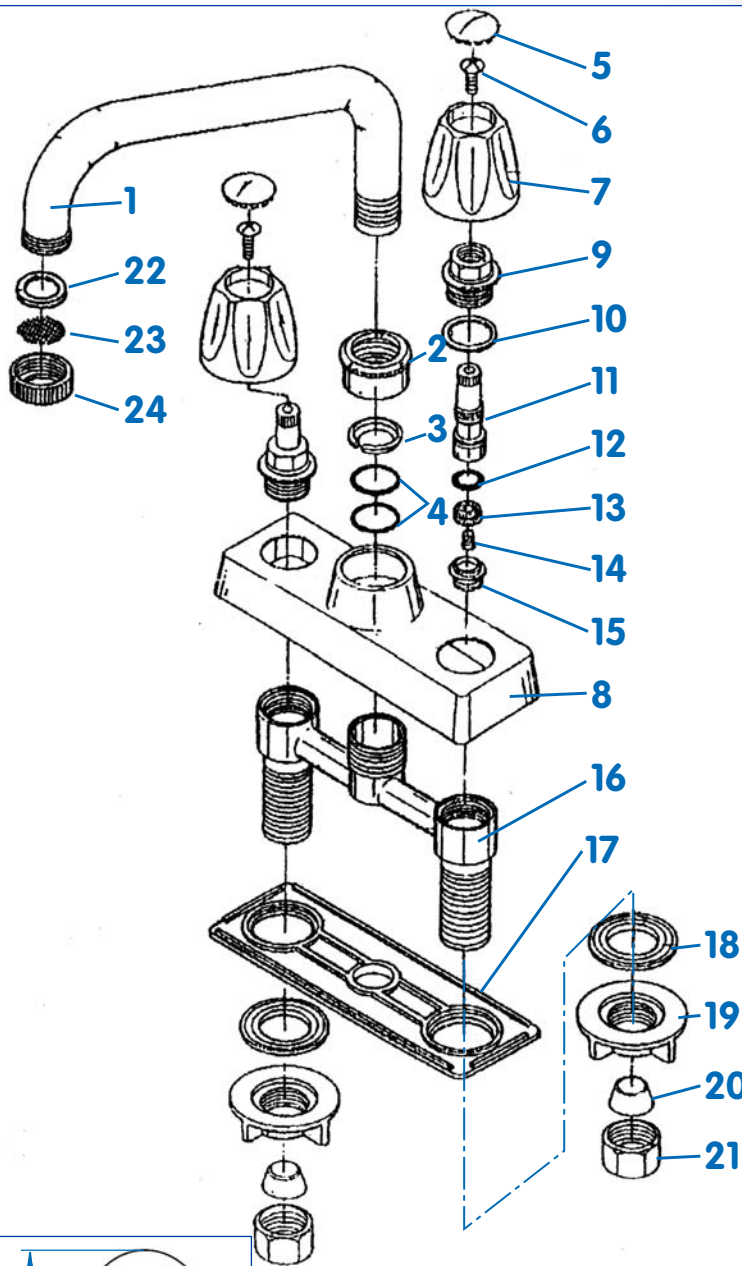
FY-985 LAUNDRY FAUCET

M
MATCO-NORCA™

Product Specs sheet

Designed & Produced By JCM Advertising - jcmadvertising.com

No.	Part Title	Material
1	Spout	CP Brass
2	Spout Cap	CP Brass
3	Packing	Plastic
4	O-Ring	Rubber
5	Index Bottom	Acrylic
6	Screw	Iron
7	Handle	CP Zinc
8	Housing	CP Zinc
9	Cover Stem	Brass
10	O-Ring	Rubber
11	Stem	Brass
12	O-Ring	Rubber
13	Seat	Rubber
14	Screw	Brass
15	Screw	Brass
16	Body	Brass
17	Button Cover	Plastic
18	Washer	Rubber
19	Lock Nut	Plastic
20	Cone Washer	Rubber
21	Copling Nut	Plastic
22	Washer	Rubber
23	Filter Net	Steel
24	Aerator cap	CP Brass



M
MATCO-NORCA™

Brewster, NY
TEL: 800-431-2082
FAX: 800-640-2252

Houston, TX
TEL: 800-935-5456
FAX: 800-683-4247

La Palma, CA
TEL: 866-532-8306
FAX: 866-532-8307

Americus, GA
TEL: 800-433-7526
FAX: 800-533-5134

e-mail: mail@matco-norca.com

www.matco-norca.com