

# FY-980 Laundry Faucet • Spec Sheet



## FEATURE & BENEFITS

- Rough Brass Laundry Faucet
- Two Lever Handles

## APPROVALS

Meets or Exceeds :

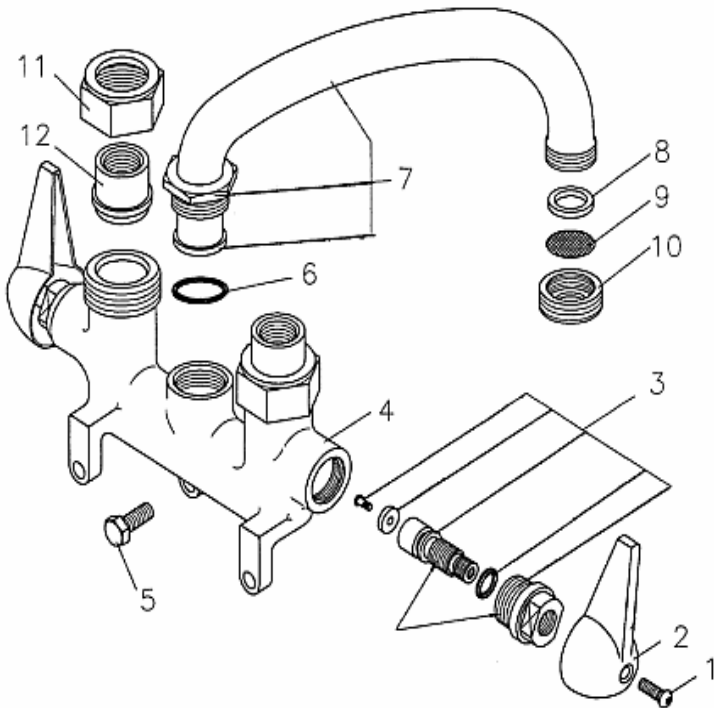
ANSI/ ASME A112.18.1

CSA B 125

ANSI/NSF 61 – Sec. 9

IAPMO/ UPC

## MATERIAL SPECIFICATION



No.	Description	Material
1	Screw For Handle	Brass
2	Handle	Zinc
3	Stem Set	Brass
4	Body	Brass
5	Screw	Carbon Steel
6	O-Ring	NBR
7	Spout	Brass
8	Washer	Rubber
9	Screen	Stainless Steel
10	Hose Connector	Brass
11	Hex Nut	Brass
12	Union	Brass



Global sourcing. National compliance. Local service.

**NEW YORK**  
**CALIFORNIA**  
**TEXAS**

WEB: [www.matco-norca.com](http://www.matco-norca.com)

PO Box 27, Rt.22, Brewster NY 10509 • Toll Free: 800-431-2082 • Fax: 845-278-9056  
5593 Fresca Dr., La Palma CA 90623 • Toll Free: 866-532-8306 • Fax: 714-522-3828  
1150 Silber Rd., Houston TX 77055 • Toll Free: 800-935-5456 • Fax: 713-680-2999

EMAIL: [mail@matco-norca.com](mailto:mail@matco-norca.com)