

FT-900 Kitchen Faucet • Spec Sheet

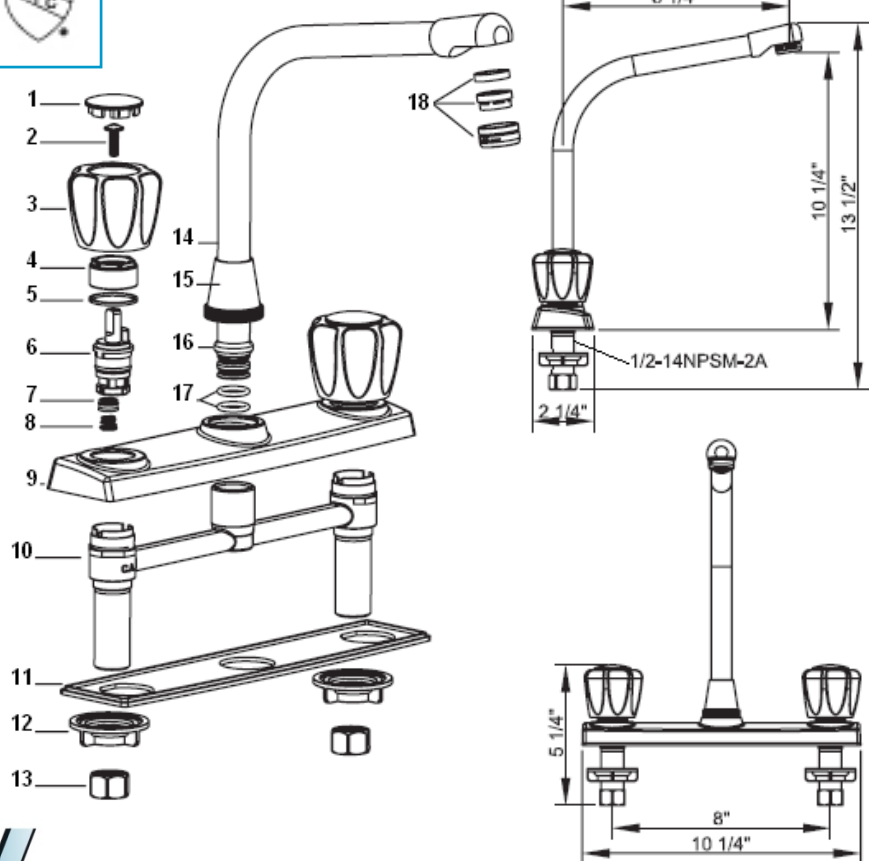


FEATURES & BENEFITS

- Classic Design
- 8" Deck Faucet
- High Arc Spout
- Chrome Finish
- Acrylic Handles
- Less Spray
- Max Flow Rate 2.2 GPM at 60 PSI
- Solid Brass
- Copper Waterways

MATERIAL SPECIFICATIONS

No.	Part	Material
1	Index Button	Acrylic
2	Handle Screw	Stainless Steel
3	Handle	Acrylic
4	Retainer Nut	Zinc
5	Washer	POM
6	Washerless Cartridge	Celcon
7	Seat	NBR
8	Spring	Stainless Steel
9	Escutcheon	Zinc
10	Body	Brass
11	Base Plate	ABS
12	Lock Nut	ABS
13	Coupling Nut	Brass
14	Tubular Spout	Brass
15	Spout Nut	Zinc
16	Snap Ring	POM
17	O-Ring	NBR
18	Aerator Assembly	CP Brass + SS Screen



MATCO-NORCA

Global sourcing. National compliance. Local service.

NEW YORK PO Box 27, Rt. 22, Brewster NY 10509 • Toll Free: 800-431-2082 • Fax: 845-278-9056
TEXAS 1150 Silber Rd., Houston TX 77055 • Toll Free: 800-935-5456 • Fax: 713-680-2999
CALIFORNIA 5593 Fresca Dr., La Palma CA 90623 • Toll Free: 866-532-8306 • Fax: 866-532-8307
 WEB: www.matco-norca.com EMAIL: mail@matco-norca.com

FT-910 Kitchen Faucet • Spec Sheet

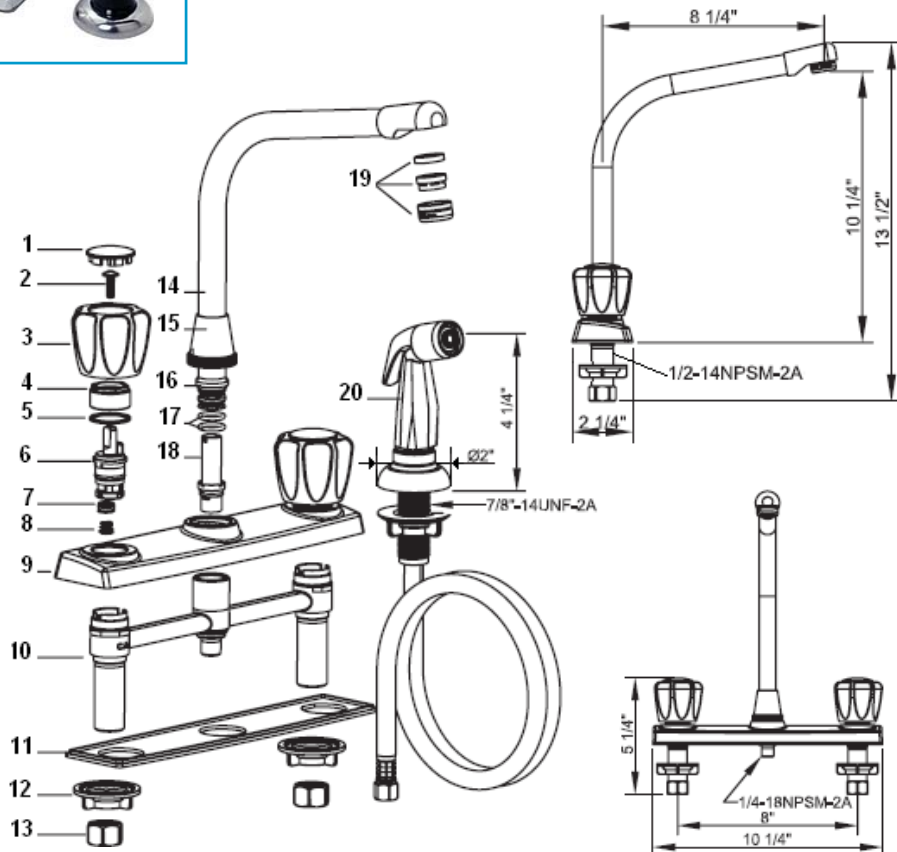


FEATURES & BENEFITS

- Classic Design
- 8" Deck Faucet
- High Arc Spout
- Chrome Finish
- Acrylic Handles
- With Spray
- Max Flow Rate 2.2 GPM at 60 PSI
- Solid Brass
- Copper Waterways

MATERIAL SPECIFICATIONS

No.	Part	Material
1	Index Button	Acrylic
2	Handle Screw	Stainless Steel
3	Handle	Acrylic
4	Retainer Nut	Zinc
5	O-Ring	NBR
6	Washerless Cartridge	Celcon
7	Seat	NBR
8	Spring	Stainless Steel
9	Escutcheon	Zinc
10	Body	Brass
11	Base Plate	ABS
12	Lock Nut	ABS
13	Coupling Nut	Brass
14	Tubular Spout	Brass
15	Spout Nut	Zinc
16	Snap Ring	POM
17	O-Ring	NBR
18	Diverter	Celcon
19	Aerator Assembly	CP Brass + SS Screen
20	Spray & Hose Assembly	ABS



MATCO-NORCA

Global sourcing. National compliance. Local service.

NEW YORK PO Box 27, Rt. 22, Brewster NY 10509 • Toll Free: 800-431-2082 • Fax: 845-278-9056
TEXAS 1150 Silber Rd., Houston TX 77055 • Toll Free: 800-935-5456 • Fax: 713-680-2999
CALIFORNIA 5593 Fresca Dr., La Palma CA 90623 • Toll Free: 866-532-8306 • Fax: 866-532-8307
 WEB: www.matco-norca.com EMAIL: mail@matco-norca.com