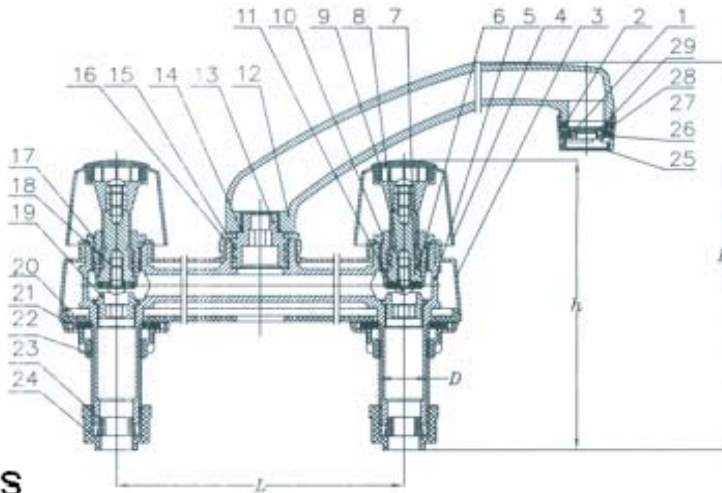


FT-777 Compression Faucet • Spec Sheet



MATERIAL SPECIFICATIONS

LN#	Description	Qty. (PCS)	Material	LN#	Description	Qty. (PCS)	Material
1	Spout Nut	1	Brass	16	Swing Nut	1	Brass
2	Spout Insert	1	NBR	17	Stern	1	Brass
3	Panel	1	Zinc	18	Press Nut	1	Brass
4	Handle	2	Zinc	19	Seal Nut	2	Brass
5	Body	1	Brass	20	Panel	1	Plastic
6	O Ring	4	NBR	21	Insert	2	NBR
7	Stem	1	Brass	22	Infall Nut	2	ABS
8	Screw	4	Brass	23	Subulate Rubber	2	Rubber
9	Handle Esc	2	ABS	24	Connect Nut	2	ABS
10	Press Nut	1	Brass	25	Steel Wire Mesh	1	Steel Wire
11	Stop Insert	2	NBR	26	Steel Wire Seat	1	ABS
12	Spout	1	Brass	27	Connect Slice	1	ABS
13	Swing Insert	1	Brass	28	Plastic Cover	1	ABS
14	O Ring	1	NBR	29	Plastic Slice	1	ABS
15	O Ring	1	NBR				

FEATURES & BENEFITS

- 8" Kitchen Faucet
- Chrome Plated
- Brass Body with Lever Handles
- Gerber Style

DIMENSIONS

Nominal Size	Dimension			
	D	H	L	H
8"	NPSM 1/2"	6.70	8.00	4.57

 **MATCO-NORCA**
Global sourcing. National compliance. Local service.

NEW YORK
CALIFORNIA
TEXAS
WEB: www.matco-norca.com

PO Box 27, Rt.22, Brewster NY 10509 • Toll Free: 800-431-2082 • Fax: 845-278-9056
5593 Fresca Dr., La Palma CA 90623 • Toll Free: 866-532-8306 • Fax: 714-522-3828
1150 Silber Rd., Houston TX 77055 • Toll Free: 800-935-5456 • Fax: 713-680-2999

EMAIL: mail@matco-norca.com