

**FT-310LF/FT-300LF**



## **8" Two Handle Kitchen Faucet**



**Product Spec Sheet**

### **FEATURES & BENEFITS**

- This Product Contains Less Than 0.25% Weighted Average Lead Content On Wetted Surfaces
- Round Acrylic Handle
- Water Saving Aerator
- Max Flow Rate 2.2 GPM (8.3LPM) at 60 PSI (ASME. A112.18.1)
- Chrome Finish

**FT-310LF**  
(With Hose & Spray)

**FT-300LF**  
(Less Hose & Spray)

#### **APPROVALS:**

**Meets or Exceeds The Following:**

- \* ANSI/ASME A112.18.1
- \* CSA B125.1
- \* ANSI/NSF 61 – Sec. 9
- \* IAPMO/UPC
- \* CA AB1953



**BREWSTER, NY: TEL: 800-431-2082**  
**HOUSTON, TX: TEL: 800-935-5456**  
**LA PALMA, CA: TEL: 866-532-8306**

**FAX: 800-640-2252**  
**FAX: 800-683-4247**  
**FAX: 866-532-8307**

The logo for MATCO-NORCA, featuring a stylized blue and white "M" followed by the text "MATCO-NORCA" in a bold, sans-serif font.

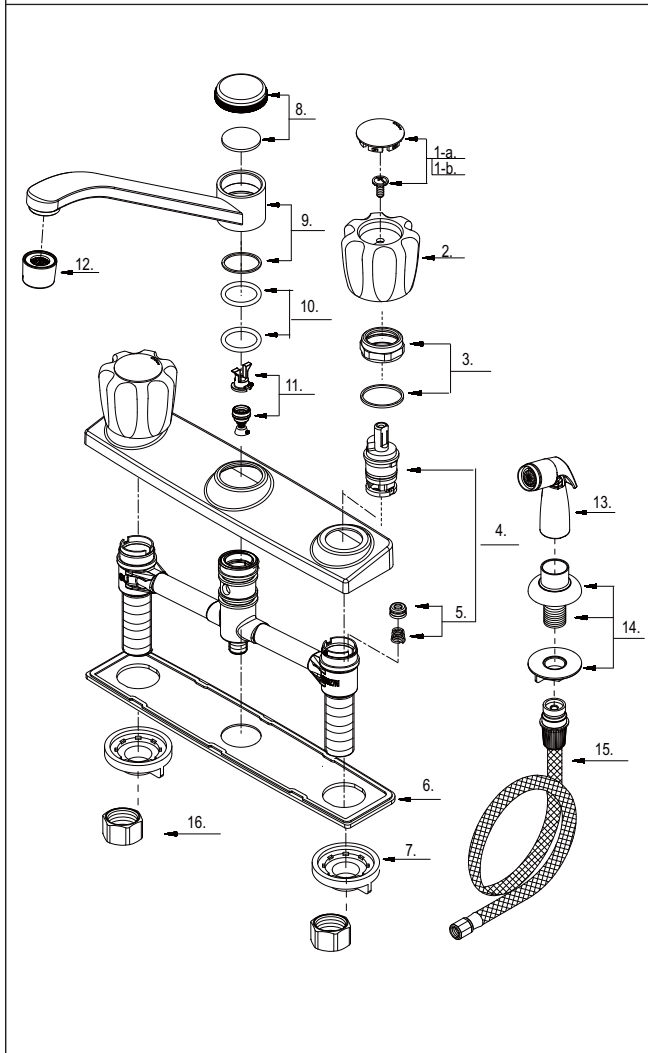
Visit Our Web Site : [www.matco-norca.com](http://www.matco-norca.com)

# FT-310LF/FT-300LF

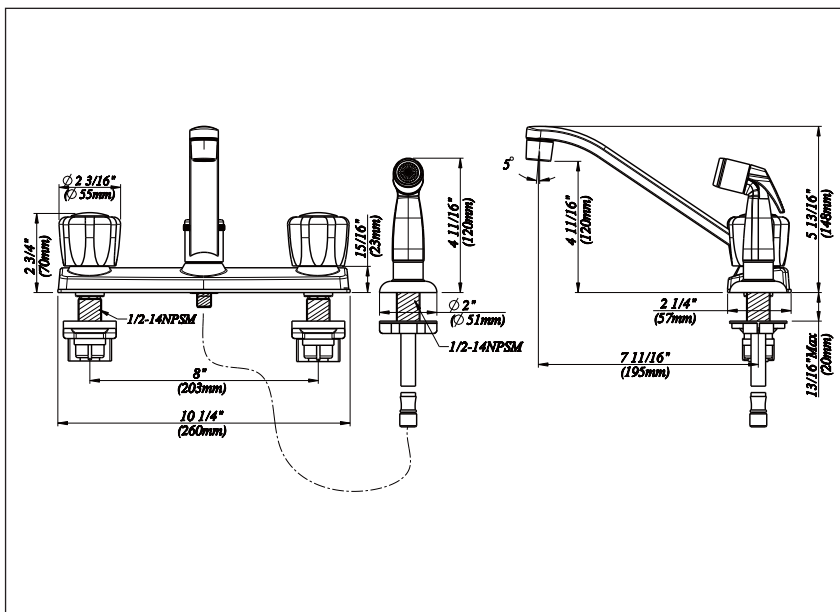
## 8" Two Handle Kitchen Faucet



No	Part Title	Material
1-a	Index Button-Cold	Plastic & Aluminum
1-b	Index Button- Hot	Plastic & Aluminum
2	Acrylic Handle	Acrylic
3	Retainer Nut & Washer	Brass & Plastic
4	Cartridge Assembly	Brass & Plastic & Steel
5	Seat & Spring Set	Plastic & Steel
6	Putty Plate	Plastic
7	Lock Nut Set	Plastic
8	Spout Trim Caps	Plastic
9	Spout Set	Brass
10	O-Ring Set	Plastic
11	Spray Diverter w/Vacuum Breaker	Plastic & Brass
12	Aerator	Plastic & Brass
13	Side Spray	Plastic
14	Spray Holder Assembly	Plastic
15	Spray Hose	Nylon
16	Coupling Nuts	Brass



Product Spec Sheet



ANSI/NSF 61-9



California Lead Plumbing Law

### APPROVALS:

Meets or Exceeds The Following:

- \* ANSI/ASME A112.18.1
- \* CSA B125.1
- \* ANSI/NSF 61 – Sec. 9
- \* IAPMO/UPC
- \* CA AB1953

BREWSTER, NY: P.O. BOX 27 Route 22 Brewster, NY 10509

HOUSTON, TX: 1150 Silber Road Houston, TX 77055

LA PALMA, CA: 5593 Fresca Drive La Palma, CA 90623

Visit Our Web Site : [www.matco-norca.com](http://www.matco-norca.com)