

# FT-210SELLF/FT-200SELLF

## 8" Single Handle Kitchen Faucet

# Product Spec Sheet



### FEATURES & BENEFITS

- This Product Contains Less Than 0.25% Weighted Average Lead Content On Wetted Surfaces
- Metal Lever Handle
- Water Saving Aerator
- Max Flow Rate 2.2 GPM (8.3LPM) at 60 PSI (ASME. A112.18.1)
- Chrome Finish

FT-210SELLF  
(With Hose & Spray)

FT-200SELLF  
(Less Hose & Spray)

#### APPROVALS:

Meets or Exceeds The Following:

- \* ANSI/ASME A112.18.1
- \* CSA B125.1
- \* ANSI/NSF 61 – Sec. 9
- \* IAPMO/UPC
- \* CA AB1953



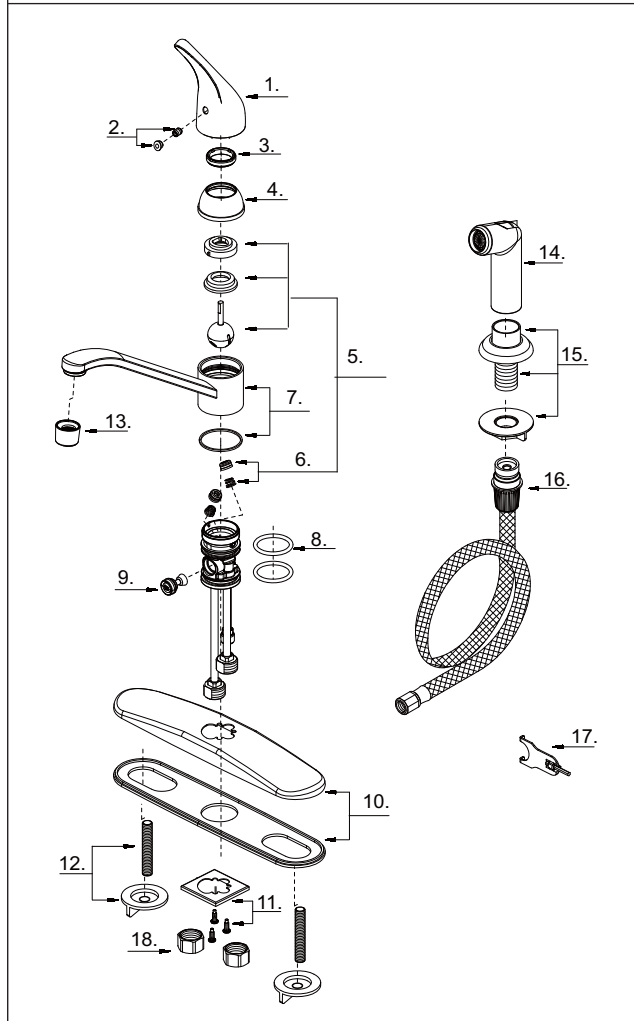
**BREWSTER, NY: TEL: 800-431-2082**  
**HOUSTON, TX: TEL: 800-935-5456**  
**LA PALMA, CA: TEL: 866-532-8306**

**FAX: 800-640-2252**  
**FAX: 800-683-4247**  
**FAX: 866-532-8307**

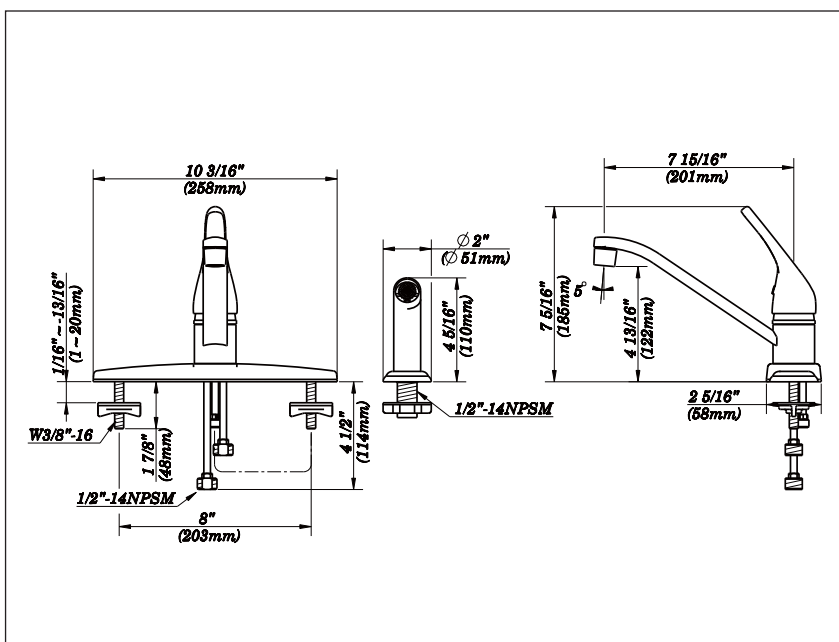
# FT-210SELLF/FT-200SELLF

## 8" Single Handle Kitchen Faucet

| No | Part Title                       | Material                |
|----|----------------------------------|-------------------------|
| 1  | Metal Handle                     | Zinc Alloy              |
| 2  | Index Button-Cold/Hot            | Steel                   |
| 3  | Locking Nut                      | Brass                   |
| 4  | Trim Cap                         | Zinc Alloy              |
| 5  | Ball Valve Assembly              | Steel & Brass & Plastic |
| 6  | Seat & Spring Set                | Plastic & Steel         |
| 7  | Spout Set                        | Zinc Alloy              |
| 8  | O Ring Set(Φ1 1/4 ID Φ1 1/2 OD)  | Plastic                 |
| 9  | Spray Diverter w/Vacuum Breaker  | Rubber & Steel          |
| 10 | Cover Plate & Putty Plate        | Zinc Alloy & Plastic    |
| 11 | Base Mounting Hardware           | Steel & Plastic         |
| 12 | Mounting Hardware                | Steel                   |
| 13 | Aerator                          | Plastic & Brass         |
| 14 | Side Spray                       | Plastic                 |
| 15 | Spray Holder Assembly (2-1/2" L) | Plastic                 |
| 16 | Spray Hose                       | PVC                     |
| 17 | Wrench                           | Steel                   |
| 18 | Coupling Nuts                    | Brass                   |



**Product Spec Sheet**



**APPROVALS:**  
Meets or Exceeds The Following:

- \* ANSI/ASME A112.18.1
- \* CSA B125.1
- \* ANSI/NSF 61 – Sec. 9
- \* IAPMO/UPC
- \* CA AB1953

**BREWSTER, NY:** P.O. BOX 27 Route 22 Brewster, NY 10509  
**HOUSTON, TX:** 1150 Silber Road Houston, TX 77055  
**LA PALMA, CA:** 5593 Fresca Drive La Palma, CA 90623

Visit Our Web Site : [www.matco-norca.com](http://www.matco-norca.com)