



FEATURES & BENEFITS

- ❖ Smooth Washerless Operation
- ❖ Solid Metal Handle
- ❖ Durable Chrome Finish
- ❖ Water Conserving Aerator
- ❖ Standard Replacement Parts
- ❖ 1/2" NPT Hookup
- ❖ ADA Compliant
- ❖ NSF Section 61-9 Compliant, UPC Approved
- ❖ Model FT-210SEL Comes With Hose & Spray



ALSO AVAILABLE:
FT-200SELS - FT-210SELS
With Brushed Nickel Finish



BREWSTER, NY: TEL: 800-431-2082 **FAX:** 914-278-9056
HOUSTON, TX: TEL: 800-935-5456 **FAX:** 800-683-4247
LAPALMA, CA: TEL: 866-532-8306 **FAX:** 866-832-8307

Visit Our Web Site: www.matco-norca.com

FT-200SEL/210SEL KITCHEN FAUCET

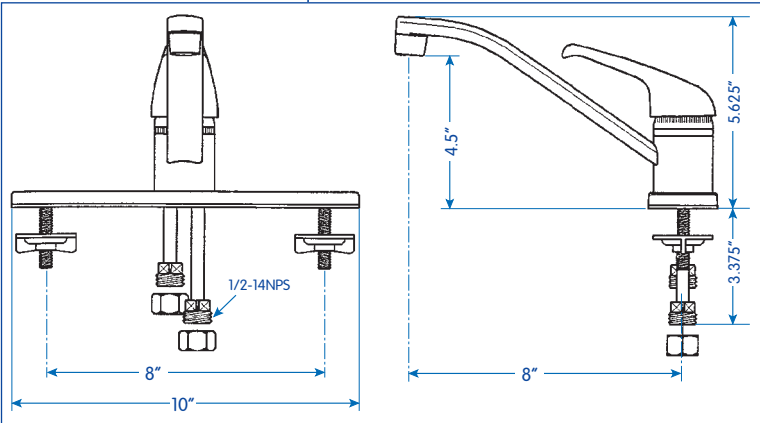
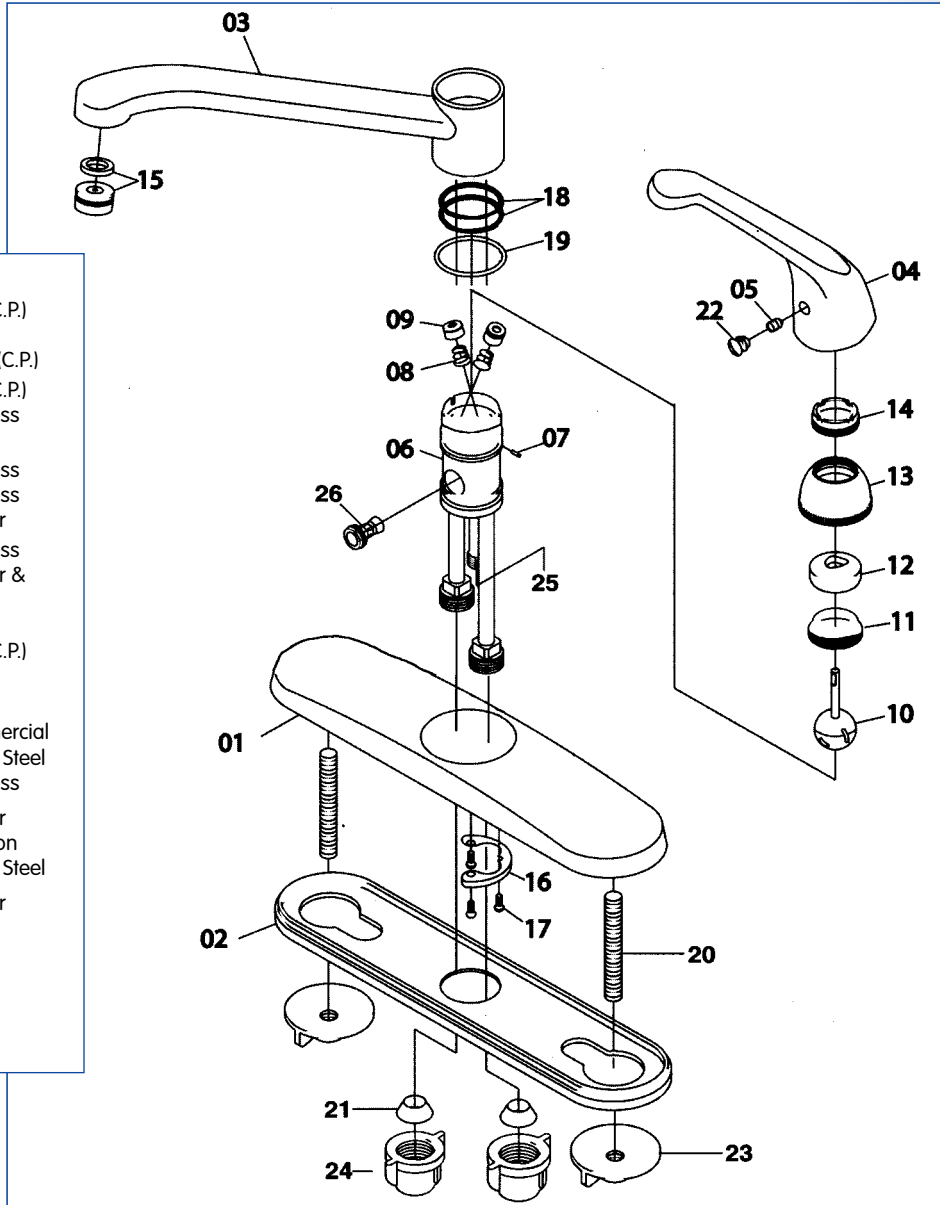


Product Spec Sheet

4/25/05

DESIGNED & PRODUCED BY JCM ADVERTISING.COM

No.	Part Title	Material
1	Escutcheon	Zinc (C.P.)
2	Bottom Gasket	Plastic
3	Spout	Brass (C.P.)
4	Handle	Zinc (C.P.)
5	Set Screw	Stainless
6	Body	Brass
7	Pin	Stainless
8	Spring	Stainless
9	Seat	Rubber
10	Ball Stem	Stainless
11	Cam Assembly	Rubber & Teflon
12	Cam Assembly	Plastic
13	Cap	Zinc (C.P.)
14	Adjusting Ring	Plastic
15	Aerator Assembly	Commercial
16	Lock Plate	Plated Steel
17	Lock Plate Screw	Stainless
18	O-Ring	Rubber
19	Duracon Ring	Duracon
20	Stud	Plated Steel
21	Cone Washer	Rubber
22	Temp Indicator	Plastic
23	Lock Nut	Plastic
24	Supply Nut	Brass
25	Connector	Brass
26	Diverter	Brass



**FT-200SEL - FT-200SELS -
Less Hose & Spray**

**FT-210SEL - FT-210SELS
With Hose & Spray**



BREWSTER, NY: P.O. Box 27 Route 22 Brewster, NY 10509
HOUSTON, TX: 1150 Silber Road Houston, TX 77055
LAPALMA, CT: 5593 Fresca Drive La Palma, CA 90623

Visit Our Web Site: www.matco-norca.com