

FT-200EL KITCHEN FAUCET

SINGLE LEVER - WASHERLESS



Product Spec Sheet



FEATURES & BENEFITS

- ❖ Smooth Washerless Operation
- ❖ Metal Loop Handle
- ❖ Durable Chrome Finish
- ❖ Water Conserving Aerator
- ❖ Standard Replacement Parts
- ❖ 1/2" NPT Hookup
- ❖ NSF Section 61-9 Compliant, UPC Approved
- ❖ Model FT-210EL Comes With Hose & Spray
- ❖ ADA Compliant



BREWSTER: TEL: 800-431-2082 FAX: 800-640-2252

HOUSTON: TEL: 800-935-5456 FAX: 800-683-4247

PREVIOUS

Click The Product Name Below To Return To That Index
BRASS & BRONZE VALVES CAST IRON VALVES FAUCETS

NEXT

Click Here For
DRAWINGS & DIMENSIONS

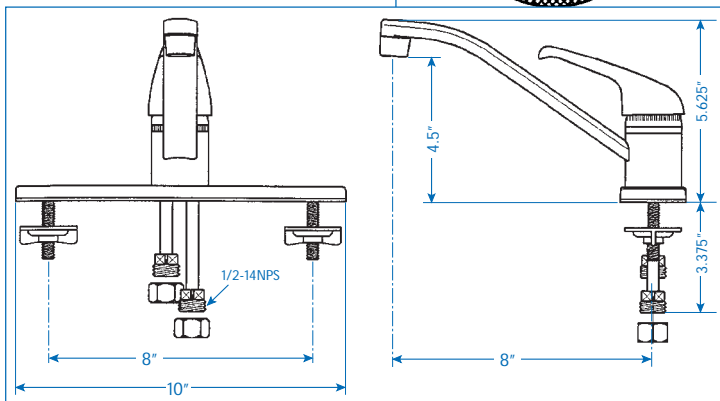
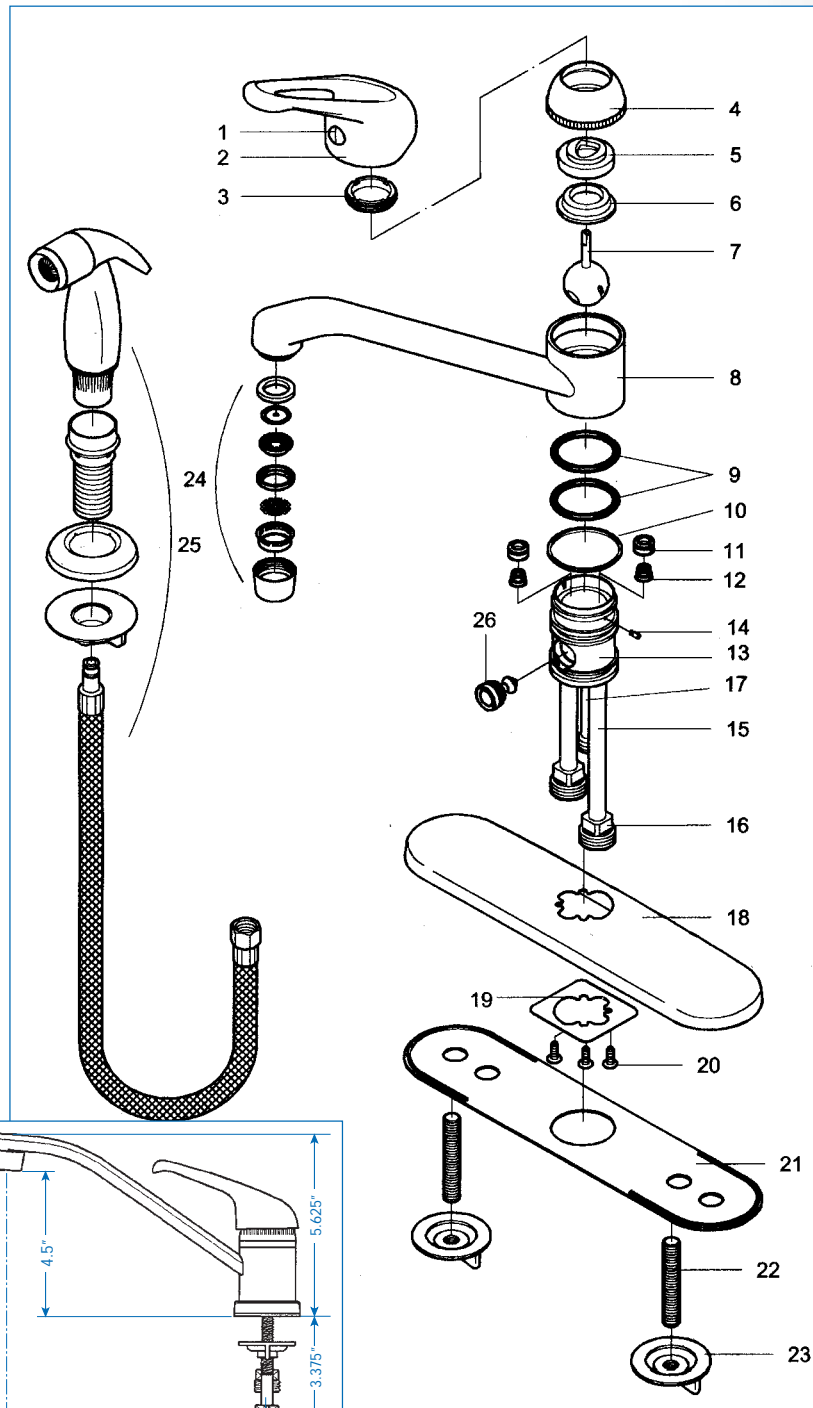
FT-200EL KITCHEN FAUCET



**FT-200EL -
Less Hose & Spray**

**FT-210EL -
With Hose & Spray**

No.	Part Title	Material
1	Allen Screw	Stainless Steel
2	Handle	Zinc (C.P.)
3	Adjusting	Plastic
4	Cap	Zinc (C.P.)
5	Cam Assembly	Plastic
6	Cam Assembly	Rubber & Teflon
7	Ball Stem	Stainless Steel
8	Spout	Brass (C.P.)
9	O-Ring	Rubber
10	Duracon Ring	Duracon
11	Seat	Rubber
12	Spring	Stainless Steel
13	Body	Brass
14	Pin	Stainless Steel
15	Supply Tube	Copper
16	Connector	Brass
17	Nothing listed	
18	Escutcheon	Zinc (C.P.)
19	Lock Plate	Plated Steel
20	Lock Plate Screw	Stainless Steel
21	Bottom Gasket	Plastic
22	Stud	Plated Steel
23	Lock Nut	Plastic
24	Aerator Assembly	Commercial
25	Spray Assembly	Commercial



Product Spec Sheet



BREWSTER: TEL: 800-431-2082 FAX: 800-640-2252

HOUSTON: TEL: 800-935-5456 FAX: 800-683-4247

PREVIOUS

Click The Product Name Below To Return To That Index
[BRASS & BRONZE VALVES](#) [CAST IRON VALVES](#) [FAUCETS](#)

NEXT

Click Here For
 PHOTO & FEATURES