

CT-855ED/CT-805ED

4" TWO HANDLE LAVATORY FAUCET



4" TWO HANDLE LAVATORY FAUCET

Product Spec Sheet



FEATURES & BENEFITS

- Washerless Cartridge
- Round Metal Handles
- Water Saving Aerator
- Brass Pop-up
- Max Flow Rate 2.2 GPM(8.3LPM) at 60 PSI
(ASME.A112.18.1)

- * CT-855ED
Chrome Finish
With Brass Pop-up
- * CT-805ED
Chrome Finish
Less Pop-up

Approvals:
Meets or Exceeds The Following:

- * ANSI/ASME A112.18.1
- * CSA B125.1
- * ANSI/NSF 61 – Sec. 9
- * IAPMO/UPC



BREWSTER, NY: TEL: 800-431-2082
HOUSTON, TX: TEL: 800-935-5456
LA PALMA, CA: TEL: 866-532-8306

FAX: 800-640-2252
FAX: 800-683-4247
FAX: 866-532-8307

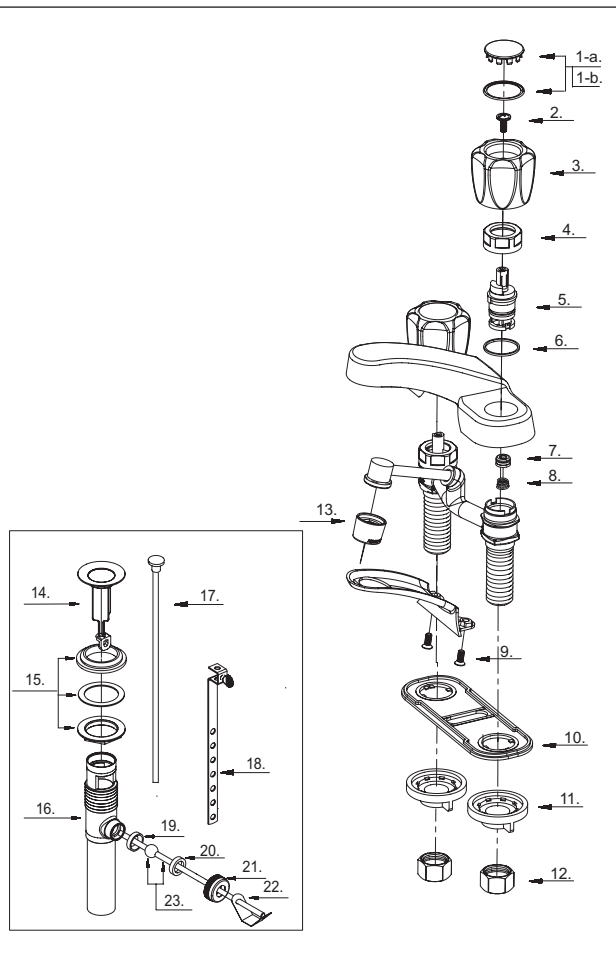
Visit Our Web Site : www.matco-norca.com

CT-855ED/CT-805ED

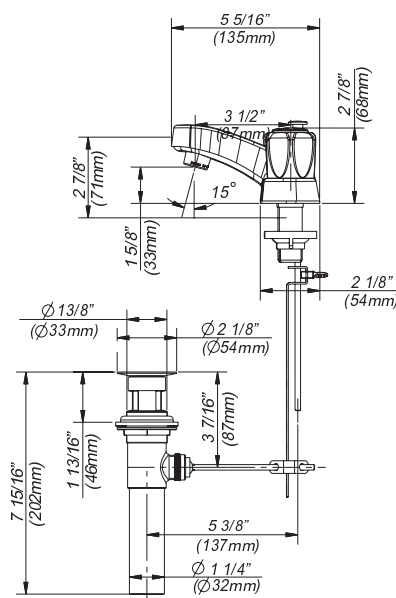
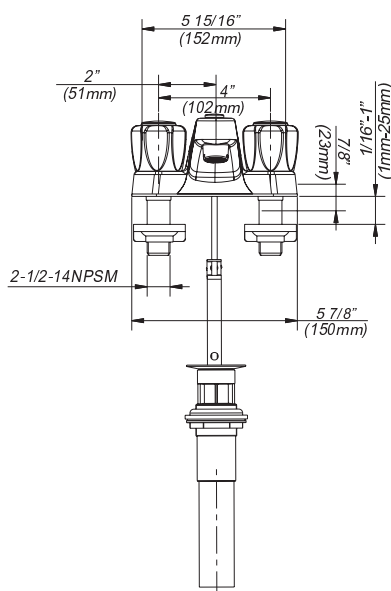
4" TWO HANDLE LAVATORY FAUCET



No.	Name	Material
1-a°	Index Button-Cold	Zinc&Plastic
1-b°	Index Button-Hot	Zinc&Plastic
2.	Screw (3/16" -24 * 1/2" L)	Stainless Steel
3°	Metal Handle	Zinc
4.	Retainer Nut	Zinc
5.	Washerless Cartridge	Plastic&Brass
6.	Washer	Plastic
7.	Seat	Plastic
8.	Spring	Rubber
9°	Screw(3/16" -24 * 7/16" L)	Stainless Steel
10.	Putty Plate	Plastic
11.	Lock Nut	ABS
12.	Coupling Nut	Brass
13°	Aerator	Brass
14°	Pop-up Plunger Assembly	Brass&Plastic
15.	Washer and Nut	Rubber
16.	Pop-up Body	Brass
17°	Lift Rod	Zinc
18.	Lift Rod Strap	Stainless Steel
19.	Washer (Inner)	Rubber
20.	Washer (Outer)	Rubber
21.	Ball Nut	Zinc
22.	Spring Clip	Stainless Steel
23.	Ball Rod(6-5/16"L)	Plastic



Product Spec Sheet



* CT-855ED
Chrome Finish
With Brass Pop-up

* CT-805ED
Chrome Finish
Less Pop-up



Approvals:
Meets or Exceeds The Following:

- * ANSI/ASME A112.18.1
- * CSA B125.1
- * ANSI/NSF 61 – Sec. 9
- * IAPMO/UPC

BREWSTER, NY: P.O. BOX 27 Route 22 Brewster, NY 10509
HOUSTON, TX: 1150 Silber Road Houston, TX 77055
LA PALMA, CA: 5593 Fresca Drive La Palma, CA 90623

Visit Our Web Site : www.matco-norca.com