

CT-855EDLF



4" Two Handle Lavatory Faucet



Product Spec Sheet

FEATURES & BENEFITS

- This Product Contains Less Than 0.25% Weighted Average Lead Content On Wetted Surfaces
- Round Metal Handles
- Water Saving Aerator
- Brass Pop-up
- Max Flow Rate 2.2 GPM(8.3LPM) at 60 PSI (ASME.A112.18.1)
- Chrome Finish

CT-855EDLF

APPROVALS:

Meets or Exceeds The Following:

- * ANSI/ASME A112.18.1
- * CSA B125.1
- * ANSI/NSF 61 – Sec. 9
- * IAPMO/UPC
- * CA AB1953



BREWSTER, NY: TEL: 800-431-2082
HOUSTON, TX: TEL: 800-935-5456
LA PALMA, CA: TEL: 866-532-8306

FAX: 800-640-2252
FAX: 800-683-4247
FAX: 866-532-8307

The logo for MATCO-NORCA, featuring a stylized blue and white "M" followed by the text "MATCO-NORCA" in a bold, sans-serif font.

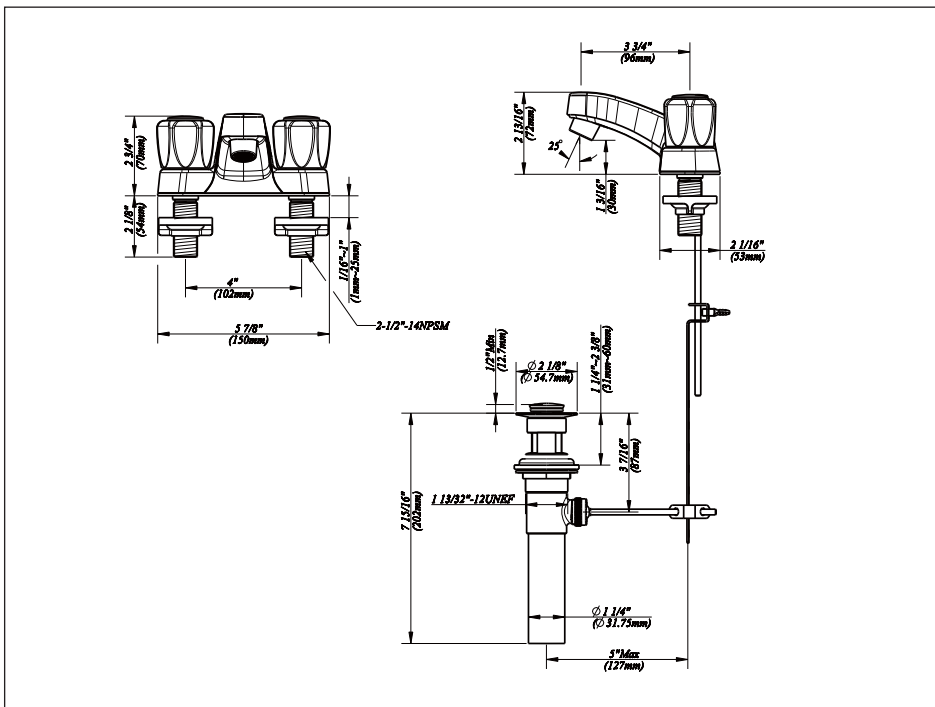
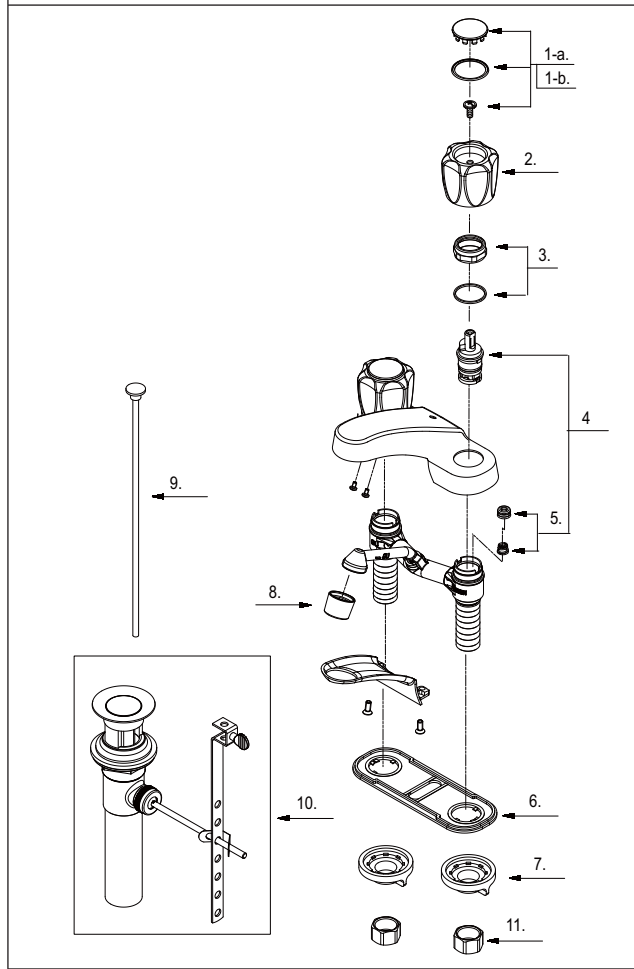
Visit Our Web Site : www.matco-norca.com

CT-855EDLF

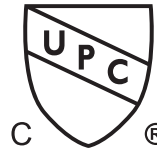
4" Two Handle Lavatory Faucet

Product Spec Sheet

No.	Name	Material
1-a	Index Button-Cold	Plastic & Brass
1-b	Index Button- Hot	Plastic & Brass
2	Metal Handle	Zinc Alloy
3	Retainer Nut & Washer	Plastic & Brass
4	Cartridge Assembly	Brass & Steel & Plastic
5	Seat & Spring Set	Plastic & Steel
6	Putty Plate	Plastic
7	Lock Nut Set	Plastic
8	Aerator	Plastic & Brass
9	Lift Rod	Steel
10	Pop-up Assembly	Brass
11	Coupling Nuts	Brass



ANSI/NSF 61-9



California Lead Plumbing Law

APPROVALS:

Meets or Exceeds The Following:

- * ANSI/ASME A112.18.1
- * CSA B125.1
- * ANSI/NSF 61 – Sec. 9
- * IAPMO/UPC
- * CA AB1953

BREWSTER, NY: P.O. BOX 27 Route 22 Brewster, NY 10509

HOUSTON, TX: 1150 Silber Road Houston, TX 77055

LA PALMA, CA: 5593 Fresca Drive La Palma, CA 90623

Visit Our Web Site : www.matco-norca.com