

CT-800WB

4" TWO HANDLE LAVATORY FAUCET



4" TWO HANDLE LAVATORY FAUCET

Product Spec Sheet



FEATURES & BENEFITS

- Solid Brass and Copper Waterways
- Wrist Blade Handles
- Washerless Cartridge
- Water Saving Aerator
- Max Flow Rate 2.2 GPM(8.3LPM)
at 60 PSI(ASME A112.18.1)
- Chrome Finish

* CT-800WB
Chrome Finish

Approvals:
Meets or Exceeds The Following:

- * ANSI/ASME A112.18.1
- * CSA B125.1
- * ANSI/NSF 61 – Sec. 9
- * IAPMO/UPC



Certified to ANSI/NSF 61
Section 9



BREWSTER, NY: TEL: 800-431-2082
HOUSTON, TX: TEL: 800-935-5456
LA PALMA, CA: TEL: 866-532-8306

FAX: 800-640-2252
FAX: 800-683-4247
FAX: 866-532-8307

Visit Our Web Site : www.matco-norca.com

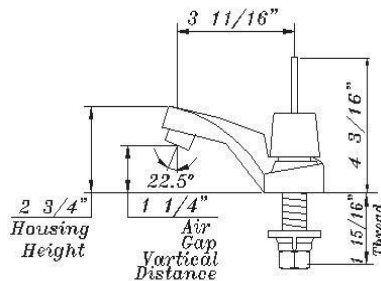
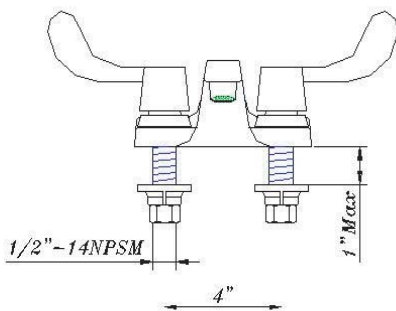
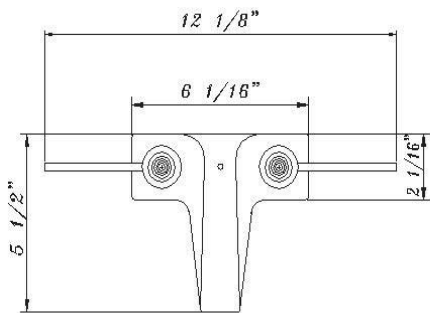
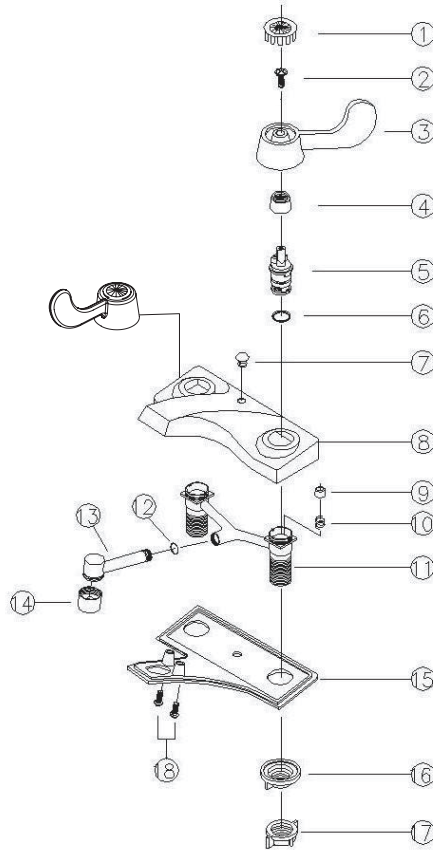
CT-800WB

4" TWO HANDLE LAVATORY FAUCET



Product Spec Sheet

No.	Name	Material
1	Cap	Plastic & Brass
2	Screw	Steel
3	Handle	Zinc
4	Retainer Nut	Brass
5	Cartridge	Plastic & Brass
6	ABS Ring	Plastic
7	Insert	Plastic
8	Cover Plate	Zinc
9	Seat	Brass
10	Spring	Steel
11	Body	Brass
12	O-Ring	Rubber
13	Spout Assembly	Brass
14	Aerator	Plastic & Brass
15	Bottom Plate	Plastic
16	Nut	Plastic
17	Nut	Plastic
18	Screw	Brass



Approvals:

Meets or Exceeds The Following:

- * ANSI/ASME A112.18.1
- * CSA B125.1
- * ANSI/NSF 61 – Sec. 9
- * IAPMO/UPC

BREWSTER, NY: 1944 Route 22 Brewster, NY 10509
HOUSTON, TX: 1150 Silber Road Houston, TX 77055
LA PALMA, CA: 5593 Fresca Drive La Palma, CA 90623

Visit Our Web Site : www.matco-norca.com