

# CT-800EDWB/CT-852EDWB 4" TWO HANDLE LAVATORY FAUCET



## 4" TWO HANDLE LAVATORY FAUCET



# Product Spec Sheet

### FEATURES & BENEFITS

- Solid Brass and Copper Waterways
- Wrist Blade Handles
- Washerless Cartridge
- Water Saving Aerator
- Max Flow Rate 2.2 GPM(8.3LPM)  
at 60 PSI(ASME A112.18.1)
- Chrome Finish

\* CT-800EDWB  
Less Pop-up

\* CT-852EDWB  
Brass Pop-up

#### APPROVALS:

Meets or Exceeds The Following:

- \* ANSI/ASME A112.18.1
- \* CSA B125.1
- \* ANSI/NSF 61 – Sec. 9
- \* IAPMO/UPC



**BREWSTER, NY:** TEL: 800-431-2082  
**HOUSTON, TX:** TEL: 800-935-5456  
**LA PALMA, CA:** TEL: 866-532-8306

**FAX: 800-640-2252**  
**FAX: 800-683-4247**  
**FAX: 866-832-8307**

Visit Our Web Site : [www.matco-norca.com](http://www.matco-norca.com)

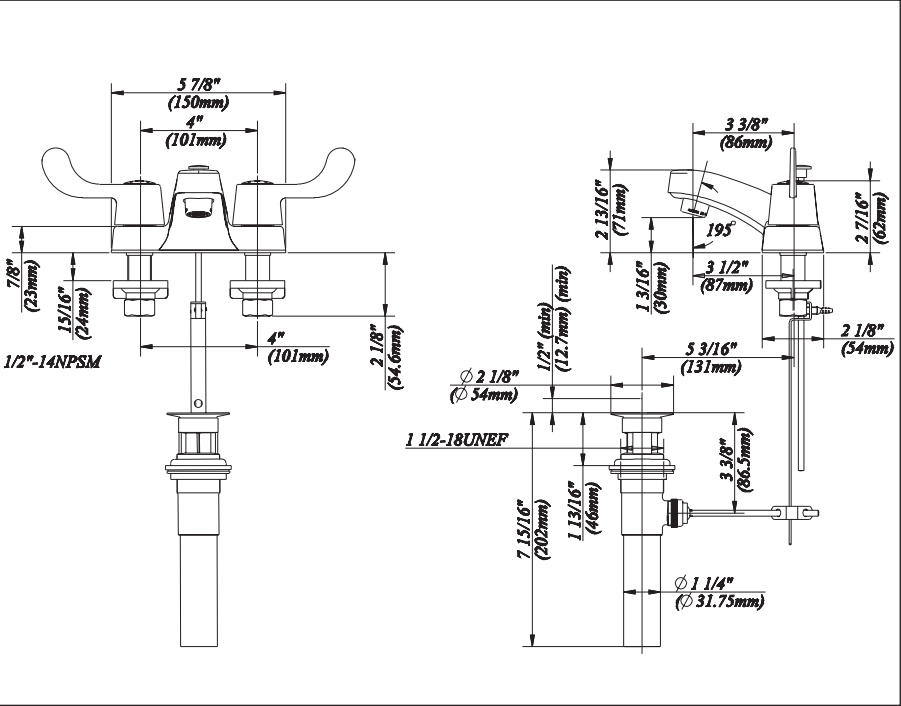
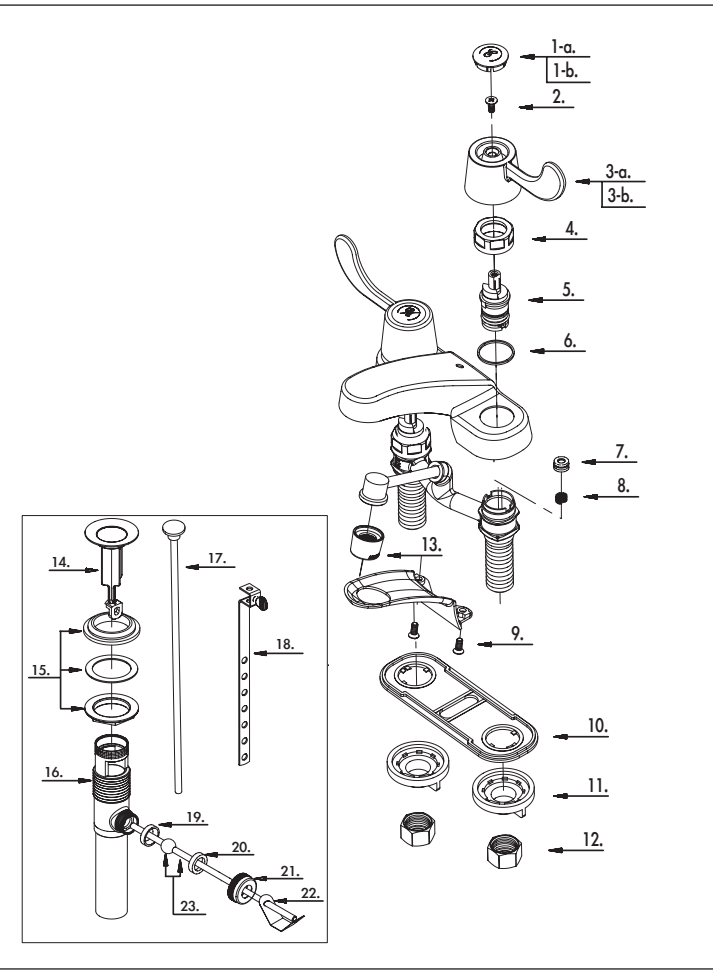
# CT-800EDWB/CT-852EDWB

## 4" TWO HANDLE LAVATORY FAUCET



Product Spec Sheet

No.	Part Name	Material
1-a	Index Button - Cold	Zinc & Plastic
1-b	Index Button - Hot	Zinc & Plastic
2	Screw(3/16" -24 * 7/16" L)	Stainless Steel
3-a	Wrist Blade Handle-Cold	Zinc
3-b	Wrist Blade Handle -Hot	Zinc
4	Retainer Nut	Brass
5	Washerless Cartridge	Plastic
6	Washer	POM
7	Seat	Rubber
8	Spring Stainless	Steel
9	Screw(3/16" -24 * 7/16" L)	Stainless Steel
10	Putty Plate	PP
11	Lock Nut	ABS
12	Coupling Nut	Brass
13	Aerator	Stainless Steel & Rubber
14	Pop-up Plunger Assembly	Brass & Plastic
15	Washer & Nut	Brass & Rubber
16	Pop-up Body	Brass
17	Lift Rod	Zinc
18	Lift Rod Strap	Stainless Steel
19	Washer (Inner)	Rubber
20	Washer (Outer)	Rubber
21	Ball Nut	Brass
22	Spring Clip	Stainless Steel
23	Ball Rod(6-5/16"L)	Stainless Steel



**APPROVALS:**  
**Meets or Exceeds The Following:**

- \* ANSI/ASME A112.18.1
- \* CSA B125.1
- \* ANSI/NSF 61 – Sec. 9
- \* IAPMO/UPC

**BREWSTER, NY:** 1944 Route 22 Brewster, NY 10509  
**HOUSTON, TX:** 1150 Silber Road Houston, TX 77055  
**LA PALMA, CA:** 5593 Fresca Drive La Palma, CA 90623

Visit Our Web Site : [www.matco-norca.com](http://www.matco-norca.com)