

CT-800ED LAVATORY FAUCET

TWO HANDLE - WASHERLESS



Product Spec Sheet



FEATURES & BENEFITS

- ❖ Washerless Cartridges
- ❖ All Brass Waterways
- ❖ Durable Chrome Finish
- ❖ Brass Supply Nuts
- ❖ Crystal Acrylic Handles
- ❖ Water Conserving Aerator
- ❖ Standard Replacement Parts
- ❖ 1/2" NPT Hookup
- ❖ NSF Section 61-9 Compliant, UPC Approved
- ❖ Model CT-852ED Comes With Chrome Plated Brass Pop Up



BREWSTER: TEL: 800-431-2082 FAX: 800-640-2252

HOUSTON: TEL: 800-935-5456 FAX: 800-683-4247

PREVIOUS

Click The Product Name Below To Return To That Index
[BRASS & BRONZE VALVES](#) [CAST IRON VALVES](#) [FAUCETS](#)

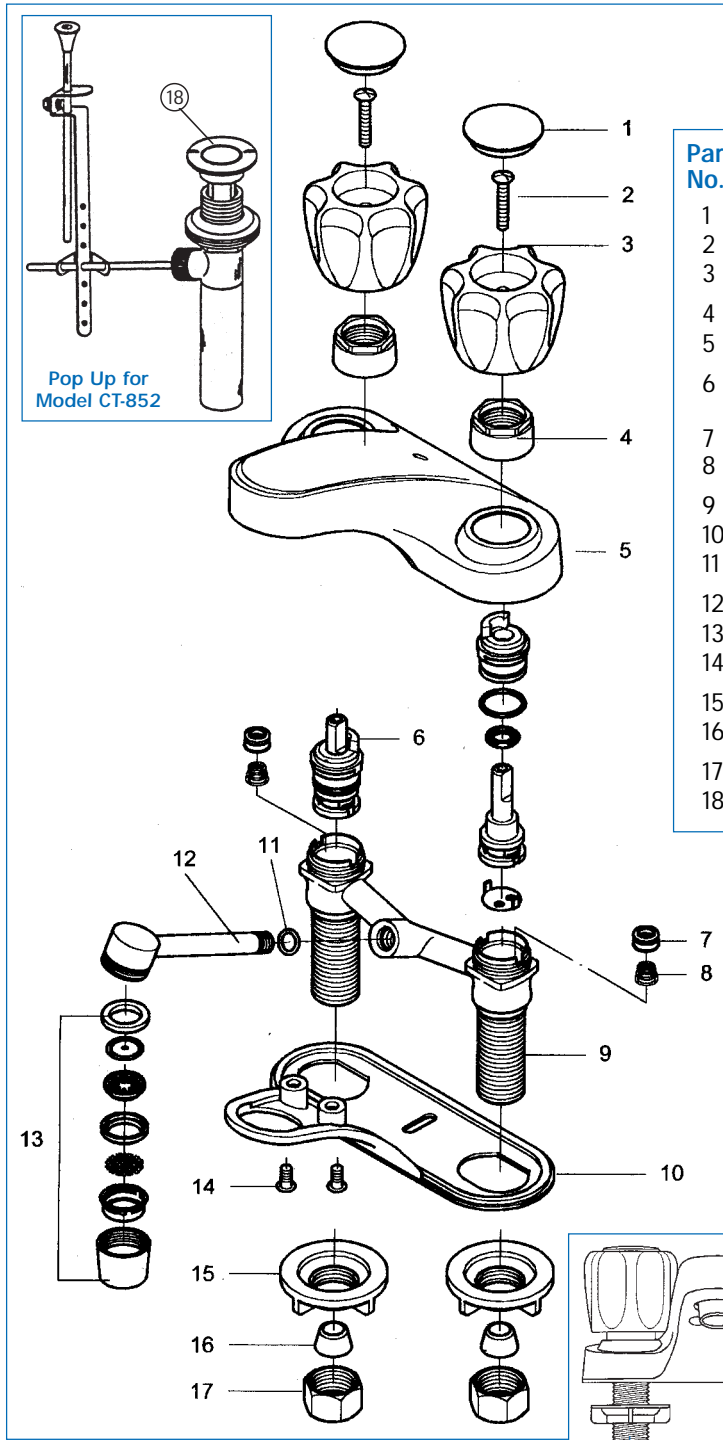
NEXT

Click Here For
[DRAWINGS & DIMENSIONS](#)

CT-800ED LAVATORY FAUCET

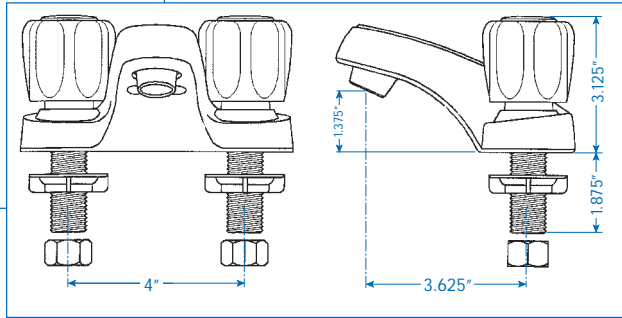


Product Spec Sheet



Part No.	Part Title	Material
1	Index	Plastic
2	Screw	Stainless Steel
3	Handle	Plastic
4	Nut	Zinc (C.P)
5	Housing	Zinc (C.P)
6	Cartridge Assembly	Commercial
7	Seat	Rubber
8	Spring	Stainless Steel
9	Body	Brass
10	Bottom Gasket	Plastic
11	O-Ring	Rubber
12	Spout	Brass
13	Aerator Assembly	Commercial
14	Screw	Brass
15	Lock Nut	Plastic
16	Cone Washer	Rubber
17	Coupling Nut	Brass
18	Pop Up	Brass

CT-800 - Less Pop Up
 CT-852 - With Pop Up



BREWSTER: TEL: 800-431-2082 FAX: 800-640-2252 HOUSTON: TEL: 800-935-5456 FAX: 800-683-4247