

CT-800 LAVATORY FAUCET



TWO HANDLE - WASHERLESS



Product Spec Sheet

FEATURES & BENEFITS

- ❖ Washerless Cartridges
- ❖ All Brass Waterways
- ❖ Durable Chrome Finish
- ❖ Brass Supply Nuts
- ❖ Crystal Acrylic Handles
- ❖ Water Conserving Aerator
- ❖ Standard Replacement Parts
- ❖ 1/2" NPT Hookup
- ❖ NSF Section 61-9 Compliant, UPC Approved
- ❖ Model CT-850 Comes With ABS Pop Up
- ❖ Model CT-852 Comes With Chrome Plated Brass Pop Up



BREWSTER: TEL: 800-431-2082 FAX: 800-640-2252

HOUSTON: TEL: 800-935-5456 FAX: 800-683-4247

PREVIOUS

Click The Product Name Below To Return To That Index
BRASS & BRONZE VALVES CAST IRON VALVES FAUCETS

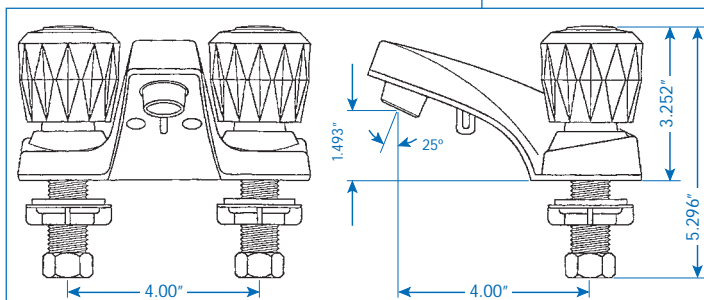
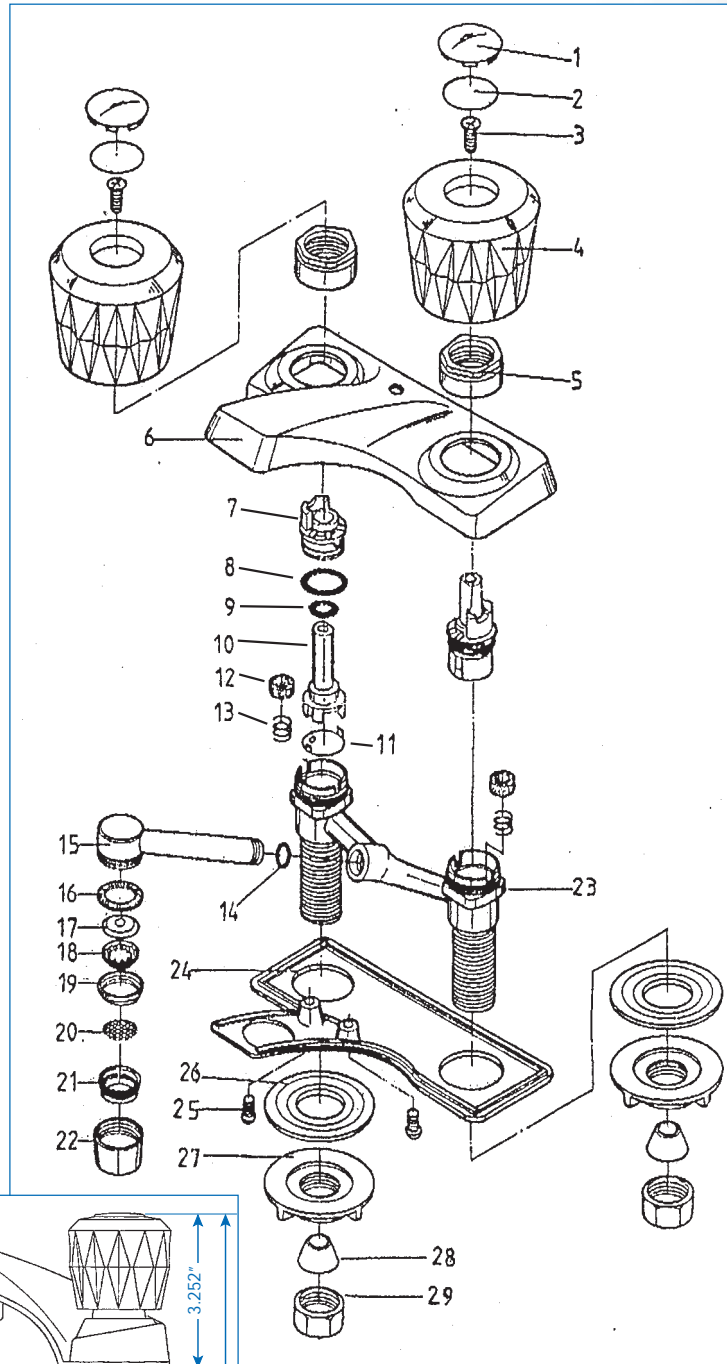
NEXT

Click Here For
DRAWINGS & DIMENSIONS

CT-800 LAVATORY FAUCET



No.	Part Title	Material
1	Index	Acrylic
2	Name Plate	Aluminum
3	Screw	Brass (C.P.)
4	Handle	Acrylic
5	Nut	Zinc (C.P.)
6	Housing	Zinc (C.P.)
7	Cover Stem	Plastic
8	O-Ring	Rubber
9	O-Ring	Rubber
10	Stem	Plastic
11	Seat Plate	Stainless
12	Seat	Rubber
13	Spring	Stainless
14	O-Ring	Rubber
15	Spout	Brass
16	Gasket	Rubber
17	Flow Restrictor	Plastic
18	Filter Net	Plastic
19	Duracon Ring	Duracon
20	Filter	Steel
21	Filter Seat	Plastic
22	Aerator Cap	Brass (C.P.)
23	Body	Brass
24	Bottom Gasket	Plastic
25	Screw	Brass
26	Washer	Rubber
27	Lock Nut	Plastic
28	Cone Washer	Rubber
29	Coupling Nut	Brass



Product Specs



BREWSTER: TEL: 800-431-2082 FAX: 800-640-2252

HOUSTON: TEL: 800-935-5456 FAX: 800-683-4247

PREVIOUS

Click The Product Name Below To Return To That Index
[BRASS & BRONZE VALVES](#) [CAST IRON VALVES](#) [FAUCETS](#)

NEXT

Click Here For
[PHOTO & FEATURES](#)