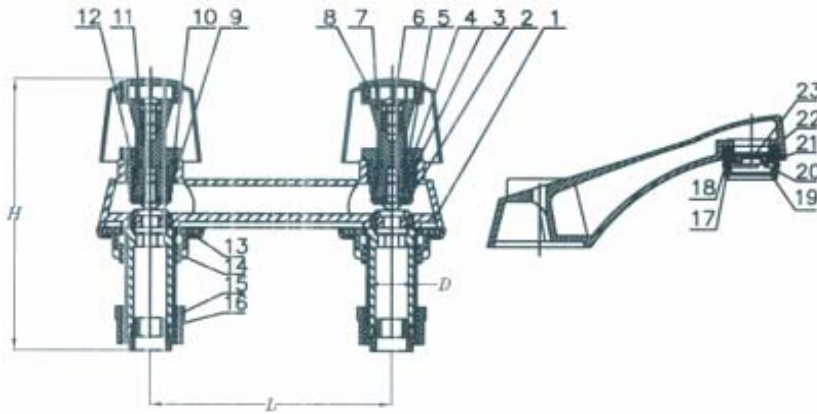


# CT-777 Compression Faucet • Spec Sheet



## MATERIAL SPECIFICATION

LN#	Description	Qty. (PCS)	Material	LN#	Description	Qty. (PCS)	Material
1	Body	1	Brass	13	Insert	2	NBR
2	Stop Insert	1	Rubber	14	Infall Nut	2	ABS
3	Stem	2	Brass	15	Connect Nut	2	ABS
4	O Ring	2	NBR	16	Subulate Rubber	2	Rubber
5	Press Nut	2	Brass	17	Spout Nut	2	Brass
6	Screw	2	Brass	18	Spout Insert	1	Rubber
7	Handle	4	Zinc	19	Steel Wire Mesh	1	Steel Wire
8	Handle ESC	1	ABS	20	Steel Wire Seat	1	ABS
9	Seal Nut	4	Brass	21	Connect Slice	1	ABS
10	O Ring	1	NBR	22	Plastic Cover	1	ABS
11	Stem	2	Brass	23	Plastic Slice	1	ABS
12	Press Nut	1	Brass				

## FEATURES & BENEFITS

- 4" Centerset
- Brass Body
- Lever Gerber Style
- Handles with Pop-Up

## DIMENSIONS

Nominal Size	Dimension		
	D	H	L
4"	NPSM 1/2"	4.65	4.00

**MATCO-NORCA**  
Global sourcing. National compliance. Local service.

**NEW YORK**  
**CALIFORNIA**  
**TEXAS**  
WEB: [www.matco-norca.com](http://www.matco-norca.com)

PO Box 27, Rt.22, Brewster NY 10509 • Toll Free: 800-431-2082 • Fax: 845-278-9056  
5593 Fresca Dr., La Palma CA 90623 • Toll Free: 866-532-8306 • Fax: 714-522-3828  
1150 Silber Rd., Houston TX 77055 • Toll Free: 800-935-5456 • Fax: 713-680-2999  
EMAIL: [mail@matco-norca.com](mailto:mail@matco-norca.com)