

CT-705LF & CT-750LF Lavatory Faucet • Spec Sheet



*Product will have LF imprinted on the body for Lead Free

FEATURES & BENEFITS

CT-705LF

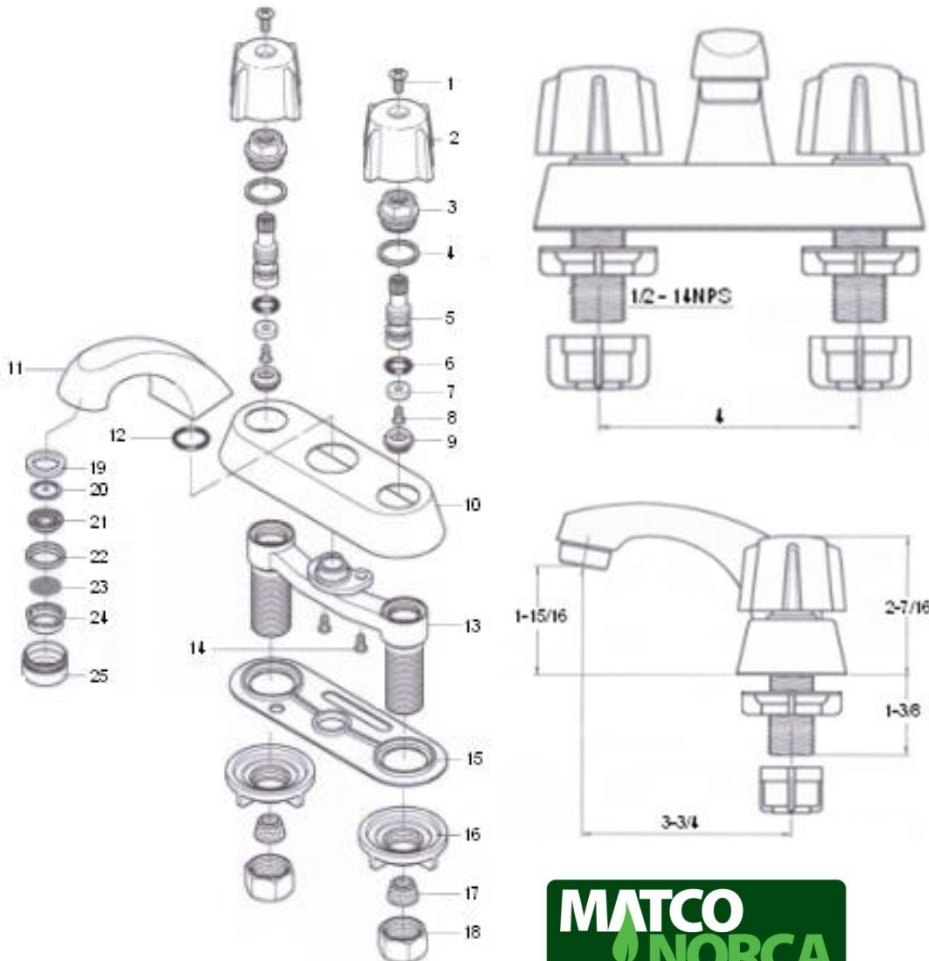
- Lead Free Brass*
- Metal Handles
- 4" CP Lavatory Faucet
- Less Pop Up

CT-750LF

- Same As Above, With Brass Pop Up

MATERIAL SPECIFICATIONS

No	PART	MATERIAL
1	Screw	Brass
2	Handle	Zinc
3	Bonnet	Brass C895550
4	Packing	Nylon
5	Stem	Brass C89550
6	O-Ring	NBR
7	O-Ring	NBR
8	Screw	Brass C26000
9	Seat	Brass C89550
10	Cover Plate	Brass
11	Spout	Brass C89550
12	O-Ring	NBR
13	Body	Brass C89550
14	Screw	Brass
15	Bottom Gasket	Plastic
16	Lock Nut	ABS
17	Cone Washer	ABS
18	Supply Nut	Brass
19	Packing	NBR
20	Washer	NBR
21	Louver	M90
22	Flange	M90
23	Filter Lath	Stainless Steel 304
24	Inner Race	M90
25	Aerator Cap	Brass



* This product complies with 0.25% weighted average lead content on wetted surfaces in accordance with CA AB1953.