

CT-705 & CT-750 Lavatory Faucet • Spec Sheet



FEATURES & BENEFITS

CT-705

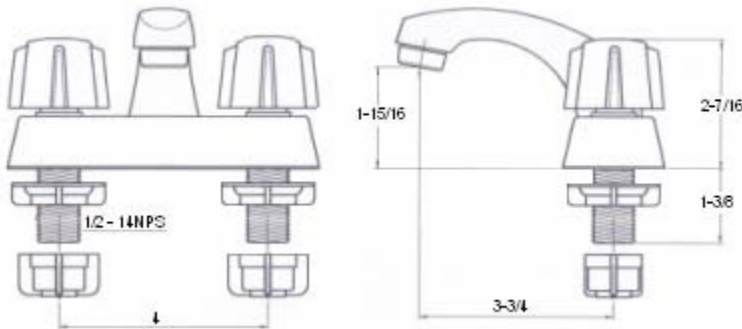
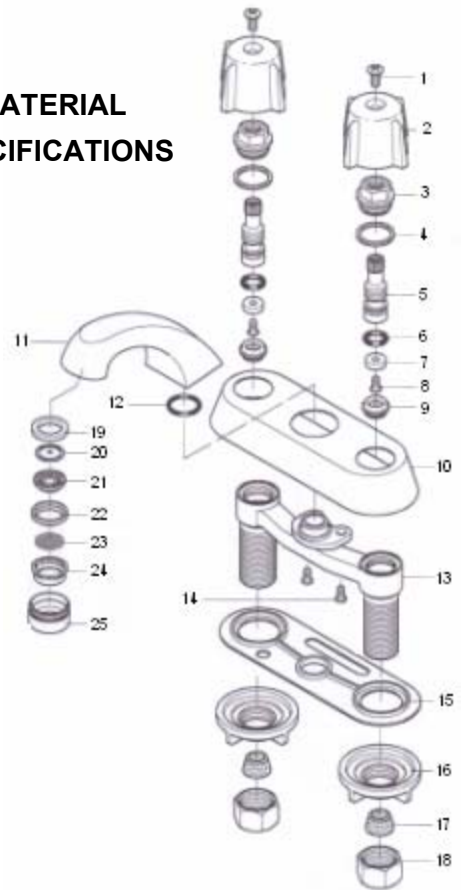
- 4" CP Lavatory Faucet
- Metal Handles
- Less Pop Up

CT-750

- Same As Above, With Brass Pop Up

No	PART	MATERIAL	No	PART	MATERIAL
1	Screw	Brass	14	Screw	Brass
2	Handle	Zinc	15	Bottom Gasket	Plastic
3	Bonnet	Brass	16	Lock Nut	Plastic
4	Packing	Rubber	17	Cone Washer	Rubber
5	Stem	Brass	18	Supply Nut	Brass
6	O-Ring	Rubber	19	Packing	Rubber
7	O-Ring	Rubber	20	Washer	Plastic
8	Screw	Brass	21	Louver	Plastic
9	Seat	Brass	22	Flange	Plastic
10	Cover Plate	Brass	23	Filter Lath	S/S
11	Spout	Brass	24	Inner Race	Plastic
12	O-Ring	Rubber	25	Aerator Cap	Brass
13	Body	Brass			

MATERIAL SPECIFICATIONS



MATCO-NORCA
Global sourcing. National compliance. Local service.

NEW YORK
TEXAS
CALIFORNIA
WEB: www.matco-norca.com

PO Box 27, Rt. 22, Brewster NY 10509 • Toll Free: 800-431-2082 • Fax: 845-278-9056
1150 Silber Rd., Houston TX 77055 • Toll Free: 800-935-5456 • Fax: 713-680-2999
5593 Fresca Dr., La Palma CA 90623 • Toll Free: 866-532-8306 • Fax: 866-532-8307

EMAIL: mail@matco-norca.com