

CT-400D LAVATORY FAUCET



SINGLE LEVER - WASHERLESS



Product Spec Sheet

FEATURES & BENEFITS

- ❖ Smooth Washerless Operation
- ❖ All Metal Lever Handle Meets ADA Spec
- ❖ Durable Chrome Finish
- ❖ Water Conserving Aerator
- ❖ Standard Replacement Parts
- ❖ 1/2" NPT Hookup
- ❖ NSF Section 61-9 Compliant, UPC Approved
- ❖ Model CT-452D Comes With Chrome Plated Brass Pop Up



BREWSTER: TEL: 800-431-2082 FAX: 800-640-2252

HOUSTON: TEL: 800-935-5456 FAX: 800-683-4247

PREVIOUS

Click The Product Name Below To Return To That Index
BRASS & BRONZE VALVES CAST IRON VALVES FAUCETS

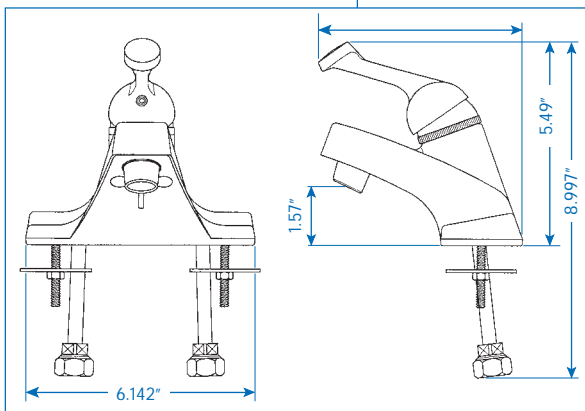
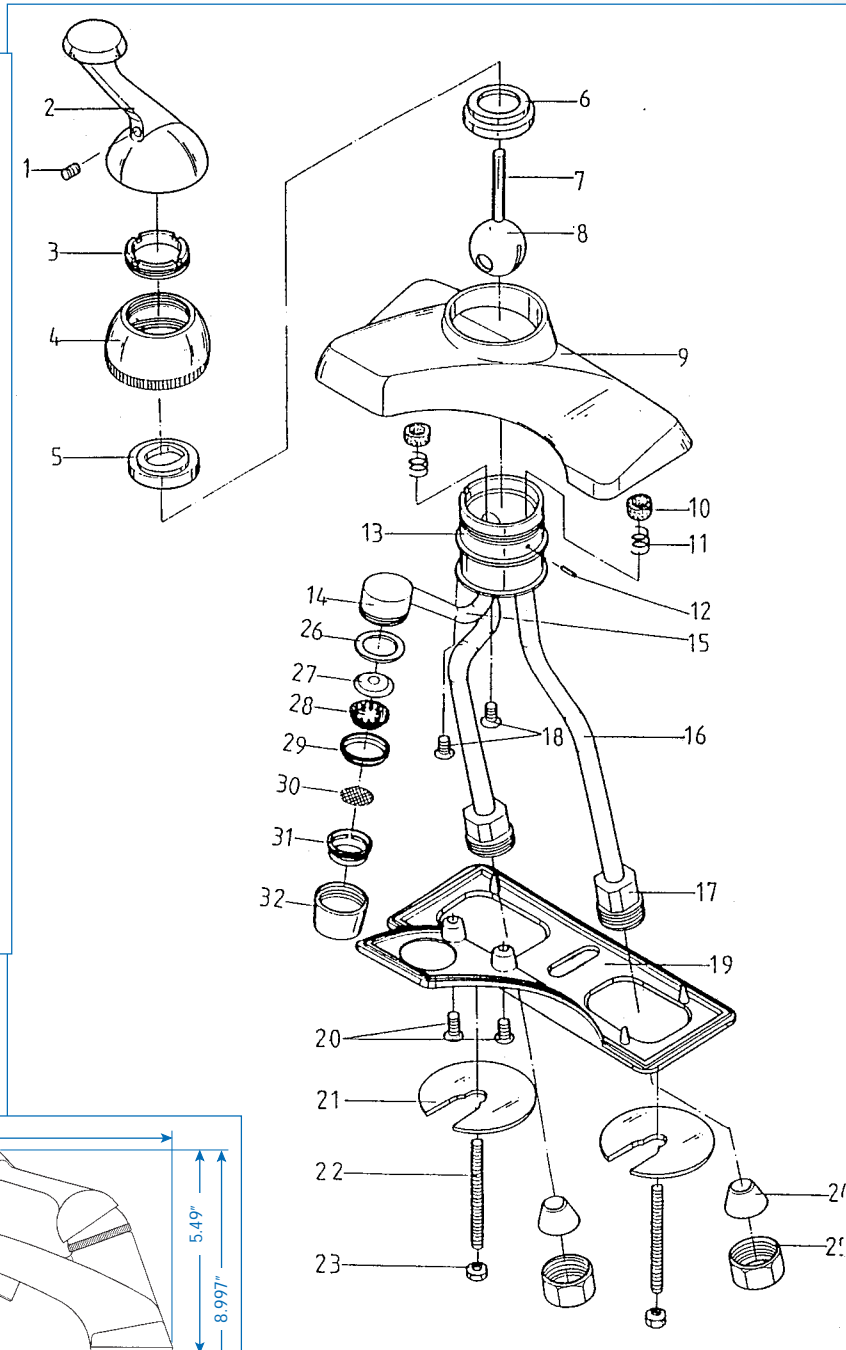
NEXT

Click Here For
DRAWINGS & DIMENSIONS

CT-400D LAVATORY FAUCET



| No. | Part Title | Material |
|-----|-----------------|-----------------|
| 1 | Set Screw | Stainless |
| 2 | Handle | Zinc (C.P.) |
| 3 | Adjusting Ring | Plastic |
| 4 | Cap | Zinc (C.P.) |
| 5 | Cam Assem | Plastic |
| 6 | Cam Assem | Rubber & Teflon |
| 7 | Ball Stem | Stainless |
| 8 | Ball | Brass |
| 9 | Housing | Zinc (C.P.) |
| 10 | Seat | Rubber |
| 11 | Spring | Stainless |
| 12 | Pin | Stainless |
| 13 | Body | Brass |
| 14 | Spout | Brass |
| 15 | Tube | Brass |
| 16 | Tube | Brass |
| 17 | Connector | Brass |
| 18 | Set Screw | Brass |
| 19 | Bottom Gasket | Plastic |
| 20 | Set Screw | Brass |
| 21 | Washer | Iron |
| 22 | Bolt | Steel |
| 23 | Nut | Steel |
| 24 | Cone Washer | Rubber |
| 25 | Supply Nut | Brass 14mm |
| 26 | Washer | Rubber |
| 27 | Flow Restrictor | Plastic |
| 28 | Filter Net | Plastic |
| 29 | Duracon Ring | Duracon |
| 30 | Filter | Stainless |



Product Specs



BREWSTER: TEL: 800-431-2082 FAX: 800-640-2252

HOUSTON: TEL: 800-935-5456 FAX: 800-683-4247

PREVIOUS

Click The Product Name Below To Return To That Index
[BRASS & BRONZE VALVES](#) [CAST IRON VALVES](#) [FAUCETS](#)

NEXT

Click Here For
 PHOTO & FEATURES