

**CT-452SELLF/CT-400SELLF**



## **4" Lavatory Faucet**



**Product Spec Sheet**

### **FEATURES & BENEFITS**

- This Product Contains Less Than 0.25% Weighted Average Lead Content On Wetted Surfaces
- Easy Single Lever Operation
- Brass Pop Up
- Water Saving Aerator
- Max Flow Rate 2.2 GPM (8.3LPM) at 60 PSI (ASME. A112.18.1)
- Chrome Finish

CT-452SELLF

CT-400SELLF  
(Less Pop Up)

#### **APPROVALS:**

Meets or Exceeds The Following:

- \* ANSI/ASME A112.18.1
- \* CSA B125.1
- \* ANSI/NSF 61 – Sec. 9
- \* IAPMO/UPC
- \* CA AB1953

ANSI/NSF 61-9



California Lead Plumbing Law



**BREWSTER, NY: TEL: 800-431-2082**

**HOUSTON, TX: TEL: 800-935-5456**

**LA PALMA, CA: TEL: 866-532-8306**

**FAX: 800-640-2252**

**FAX: 800-683-4247**

**FAX: 866-532-8307**

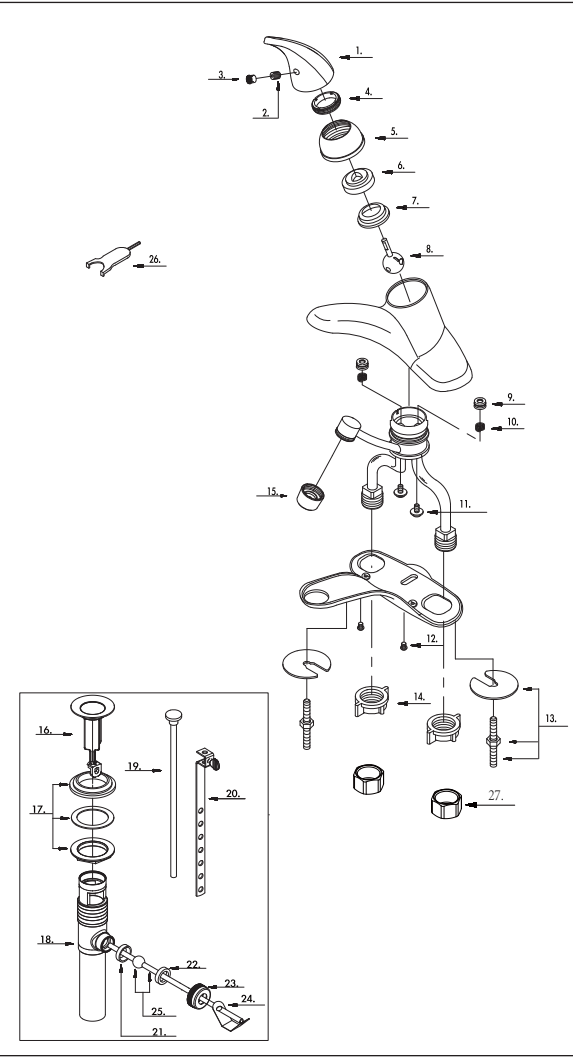
Visit Our Web Site : [www.matco-norca.com](http://www.matco-norca.com)

The logo for MATCO-NORCA, featuring a stylized blue and white "M" followed by the text "MATCO-NORCA" in a bold, sans-serif font.

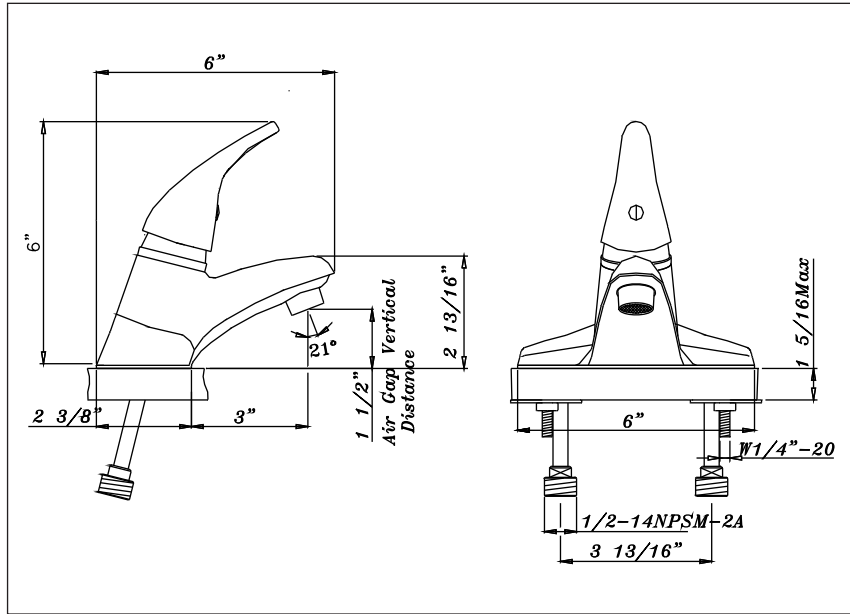
# CT-452SELLF/CT-400SELLF 4" Lavatory Faucet



No	Part Title	Material
1	Metal handle	Zinc Alloy
2	Screw	Steel
3	Index Button	Plastic
4	Locking Nut	Brass
5	Trim Cap	Zinc Alloy
6	Cam	Plastic
7	Cam Packing	Teflon
8	Ball Valve	Steel
9	Seat	Teflon
10	Spring	Steel
11	Screw	Steel
12	Screw	Brass
13	Mounting Hardware	Steel
14	Coupling Nut	Brass
15	Aerator	Plastic & Brass
16	Pop-up Plunger	Plastic
17	Washer & Nut	Plastic & Brass
18	Pop-up Body	Brass
19	Lift Rod	Steel
20	Lift Rod Strap	Steel
21	Washer (Inner)	Plastic
22	Washer (Outer)	Plastic
23	Ball Nut	Brass
24	Spring Clip	Steel
25	Ball Rod	Steel
26	Wrench	Steel
27	Coupling Nuts	Brass



Product Spec Sheet



ANSI/NSF 61-9



California Lead Plumbing Law



**APPROVALS:**

Meets or Exceeds The Following:

- \* ANSI/ASME A112.18.1
- \* CSA B125.1
- \* ANSI/NSF 61 – Sec. 9
- \* IAPMO/UPC
- \* CA AB1953

BREWSTER, NY: P.O. BOX 27 Route 22 Brewster, NY 10509  
 HOUSTON, TX: 1150 Silber Road Houston, TX 77055  
 LA PALMA, CA: 5593 Fresca Drive La Palma, CA 90623

Visit Our Web Site : [www.matco-norca.com](http://www.matco-norca.com)

**CT-452SELSLF**



## 4" Lavatory Faucet



**Product Spec Sheet**

### FEATURES & BENEFITS

- This Product Contains Less Than 0.25% Weighted Average Lead Content On Wetted Surfaces
- Easy Single Lever Operation
- Brass Pop Up
- Water Saving Aerator
- Max Flow Rate 2.2 GPM (8.3LPM) at 60 PSI (ASME. A112.18.1)

CT-452SELSLF  
(Brushed Nickel Finish)

#### APPROVALS: Meets or Exceeds The Following:

- \* ANSI/ASME A112.18.1
- \* CSA B125.1
- \* ANSI/NSF 61 – Sec. 9
- \* IAPMO/UPC
- \* CA AB1953



**BREWSTER, NY: TEL: 800-431-2082**

**HOUSTON, TX: TEL: 800-935-5456**

**LA PALMA, CA: TEL: 866-532-8306**

**FAX: 800-640-2252**

**FAX: 800-683-4247**

**FAX: 866-532-8307**

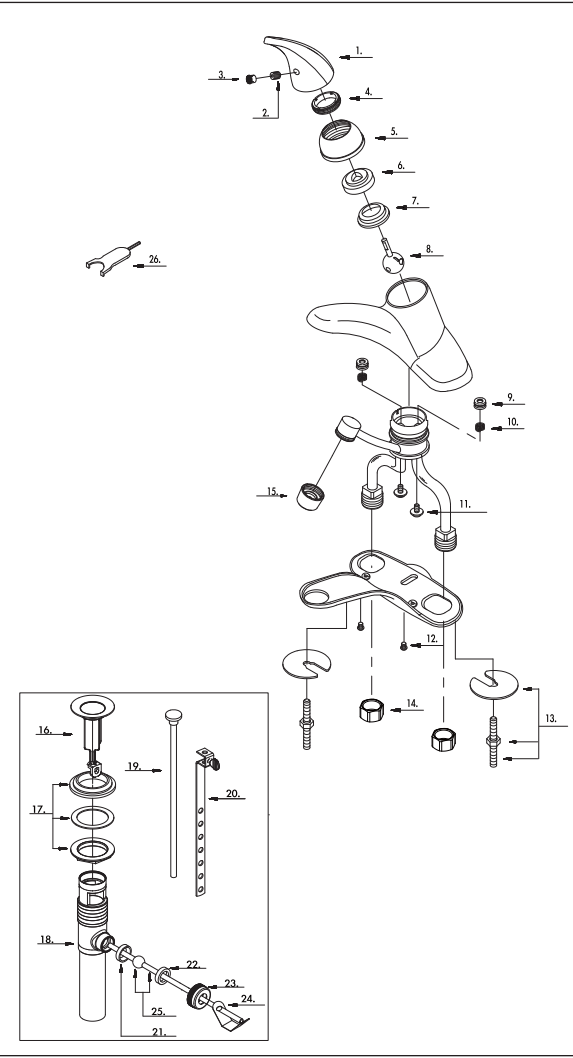
Visit Our Web Site : [www.matco-norca.com](http://www.matco-norca.com)

The MATCO-NORCA logo, featuring a stylized blue and white "M" followed by the text "MATCO-NORCA" in black.

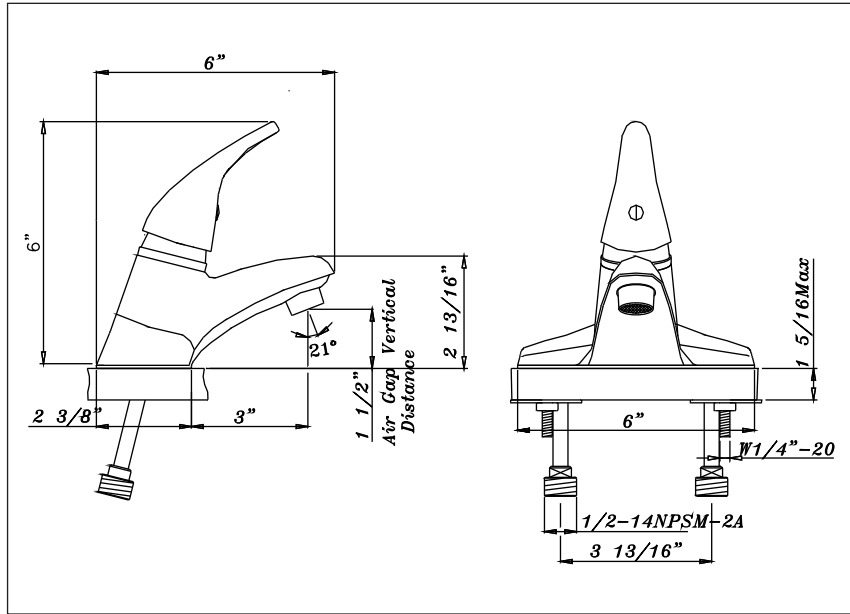
# CT-452SELSLF 4" Lavatory Faucet



No	Part Title	Material
1	Metal handle	Zinc Alloy
2	Screw	Steel
3	Index Button	Plastic
4	Locking Nut	Brass
5	Trim Cap	Zinc Alloy
6	Cam	Plastic
7	Cam Packing	Teflon
8	Ball Valve	Steel
9	Seat	Teflon
10	Spring	Steel
11	Screw	Steel
12	Screw	Brass
13	Mounting Hardware	Steel
14	Coupling Nuts	Brass
15	Aerator	Plastic & Brass
16	Pop-up Plunger	Plastic
17	Washer & Nut	Plastic & Brass
18	Pop-up Body	Brass
19	Lift Rod	Steel
20	Lift Rod Strap	Steel
21	Washer (Inner)	Plastic
22	Washer (Outer)	Plastic
23	Ball Nut	Brass
24	Spring Clip	Steel
25	Ball Rod	Steel
26	Wrench	Steel



Product Spec Sheet



ANSI/NSF 61-9



California Lead Plumbing Law



**APPROVALS:**

Meets or Exceeds The Following:

- \* ANSI/ASME A112.18.1
- \* CSA B125.1
- \* ANSI/NSF 61 – Sec. 9
- \* IAPMO/UPC
- \* CA AB1953

BREWSTER, NY: P.O. BOX 27 Route 22 Brewster, NY 10509  
 HOUSTON, TX: 1150 Silber Road Houston, TX 77055  
 LA PALMA, CA: 5593 Fresca Drive La Palma, CA 90623

Visit Our Web Site : [www.matco-norca.com](http://www.matco-norca.com)