



4/20/05

DESIGNED & PRODUCED BY JCM ADVERTISING.COM

## FEATURES & BENEFITS

- ❖ Smooth Washerless Operation
- ❖ Durable Chrome Finish
- ❖ Solid Metal Handle
- ❖ Water Conserving Aerator
- ❖ Standard Replacement Parts
- ❖ ADA Compliant
- ❖ 1/2" NPT Hookup
- ❖ NSF Section 61-9 Compliant, UPC Approved
- ❖ Model CT-452EL Comes With Chrome Plated Brass Pop Up



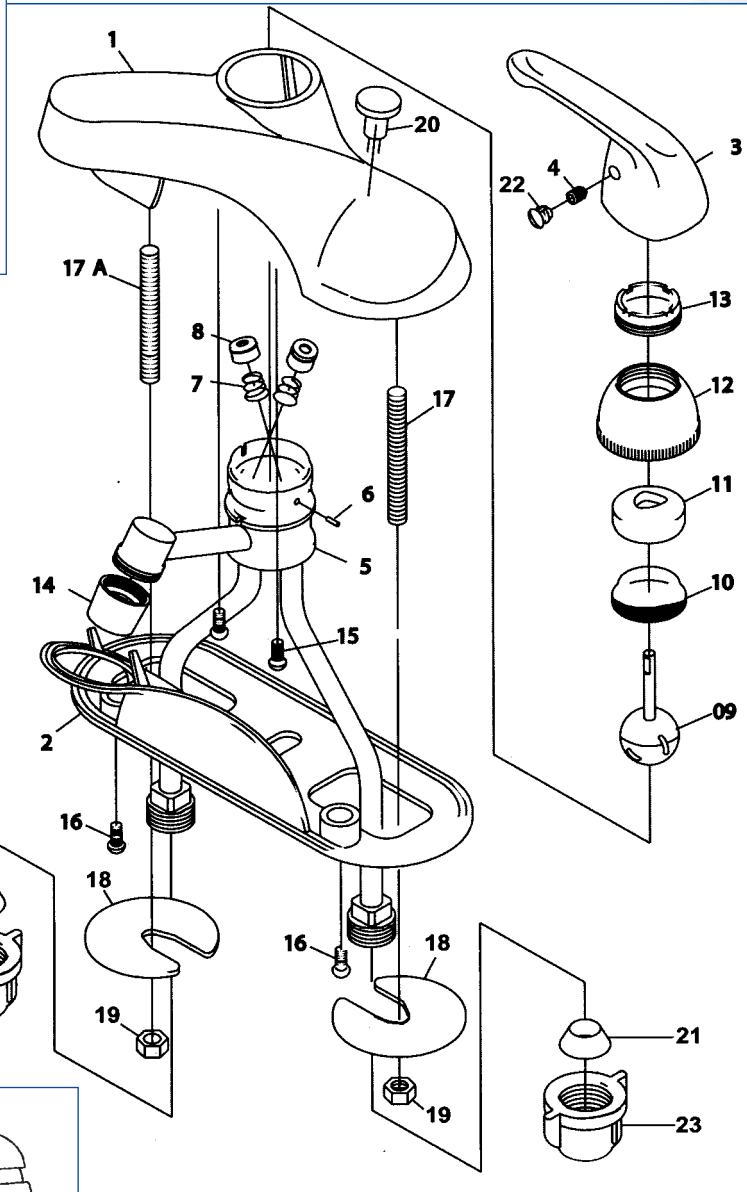
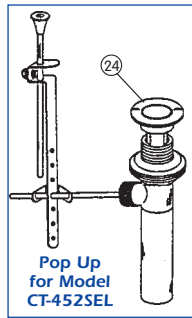
**ALSO AVAILABLE:**  
CT-400SELS - CT-452SELS  
With Brushed Nickel Finish



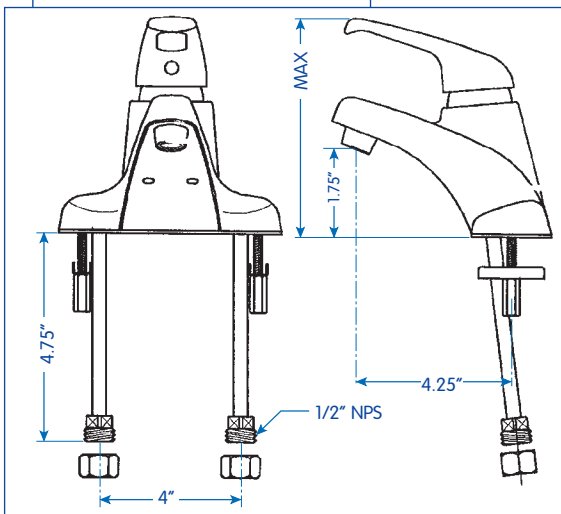
**BREWSTER, NY:** TEL: 800-431-2082      **FAX:** 914-278-9056  
**HOUSTON, TX:** TEL: 800-935-5456      **FAX:** 800-683-4247  
**LAPALMA, CA:** TEL: 866-532-8306      **FAX:** 866-832-8307

Visit Our Web Site: [www.matco-norca.com](http://www.matco-norca.com)

# CT-400SEL/452SEL LAVATORY FAUCET



No.	Part Title	Material
1	Housing	Zinc
2	Bottom Gasket	Plastic
3	Handle	Zinc
4	Set Screw	Stainless
5	Body	Brass
6	Pin	Stainless
7	Spring	Stainless
8	Seat	Rubber
9	Ball Stem	Stainless
10	Cam Assembly	Rubber & Teflon
11	Cam Assembly	Plastic
12	Cap	Zinc
13	Adjusting Ring	Plastic
14	Aerator	Commercial
15	Set Screws	Brass
16	Set Screws	Brass
17	Stud	Steel
18	Washer	Iron
19	Nut	Steel
20	Pop-Up Hole Ring	Plastic (C.P.)
21	Cone Washer	Rubber
22	Temp Indicator	Plastic
23	Supply Nut	Brass
24	Pop-Up	Brass



CT-400SEL  
CT-400SELS - Less Pop Up

CT-452SEL  
CT-452SEL - With Pop Up

Product Spec Sheet



**BREWSTER, NY:** P.O. Box 27 Route 22 Brewster, NY 10509  
**HOUSTON, TX:** 1150 Silber Road Houston, TX 77055  
**LAPALMA, CT:** 5593 Fresca Drive La Palma, CA 90623

Visit Our Web Site: [www.matco-norca.com](http://www.matco-norca.com)