

- CR-730C**
- CR-720C**
- CR-730CJP**
- CR-720CJP**

- CR-730BN**
- CR-720BN**
- CR-730BNJP**
- CR-720BNJP**

- CR-730ORB**
- CR-720ORB**
- CR-730ORBJP**
- CR-720ORBJP**



Single Handle Tub & Shower Faucet

Product Spec Sheet



FEATURES & BENEFITS

- Metal Lever Handle
- Washerless Pressure Balancing Valve
- Slip Fit Diverter Spout
- Max Flow Rate 2.0 GPM (7.6 L/MIN)
At 80 PSI
(ASME A112.18.1M/A112.18.1)

APPROVALS:

Meets or Exceeds The Following:

- * ANSI/ASME A112.18.1M/A112.18.1
- * IAPMO/cUPC

CR-730C
Tub & Shower Faucet
Chrome Finish

CR-730BN
Tub & Shower Faucet
Brushed Nickel Finish

CR-730ORB
Tub & Shower Faucet
Oil Rubbed Bronze Finish

CR-720C
Shower Only Faucet
Chrome Finish

CR-720BN
Shower Only Faucet
Brushed Nickel Finish

CR-720ORB
Shower Only Faucet
Oil Rubbed Bronze Finish

CR-730CJP
Trim Kit For Tub & Shower Faucet
Chrome Finish

CR-730BNJP
Trim Kit For Tub & Shower Faucet
Brushed Nickel Finish

CR-730ORBJP
Trim Kit For Tub & Shower Faucet
Oil Rubbed Bronze Finish

CR-720CJP
Trim Kit For Shower Only Faucet
Chrome Finish

CR-720BNJP
Trim Kit For Shower Only Faucet
Brushed Nickel Finish

CR-720ORBJP
Trim Kit For Shower Only Faucet
Oil Rubbed Bronze Finish



* WaterSense Only On Models Containing Showerheads

CALIFORNIA:
TEXAS:
NEW YORK:

TEL: 866-532-8306
TEL: 800-935-5456
TEL: 800-431-2082

FAX: 866-532-8307
FAX: 800-683-4247
FAX: 800-640-2252

Visit Our Web Site : www.matco-norca.com

- CR-730C**
- CR-720C**
- CR-730CJP**
- CR-720CJP**

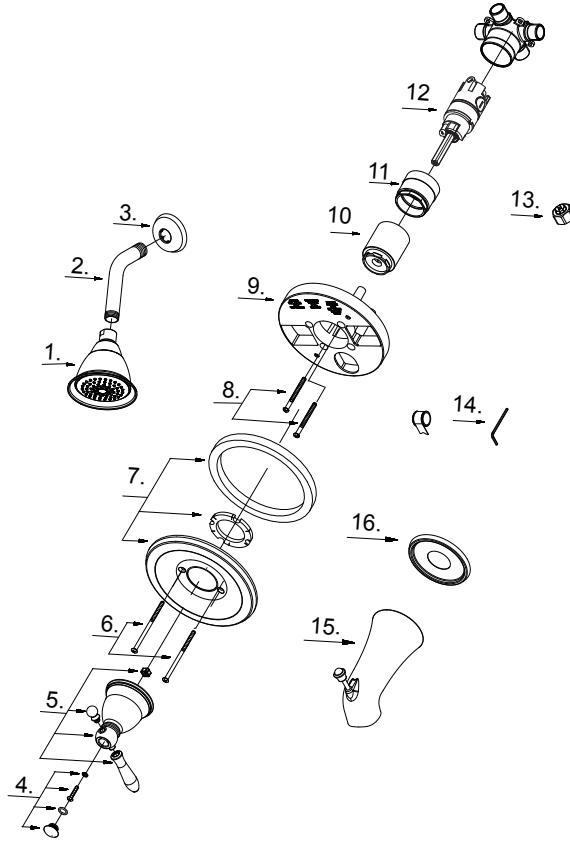
- CR-730BN**
- CR-720BN**
- CR-730BNJP**
- CR-720BNJP**

- CR-730ORB**
- CR-720ORB**
- CR-730ORBJP**
- CR-720ORBJP**

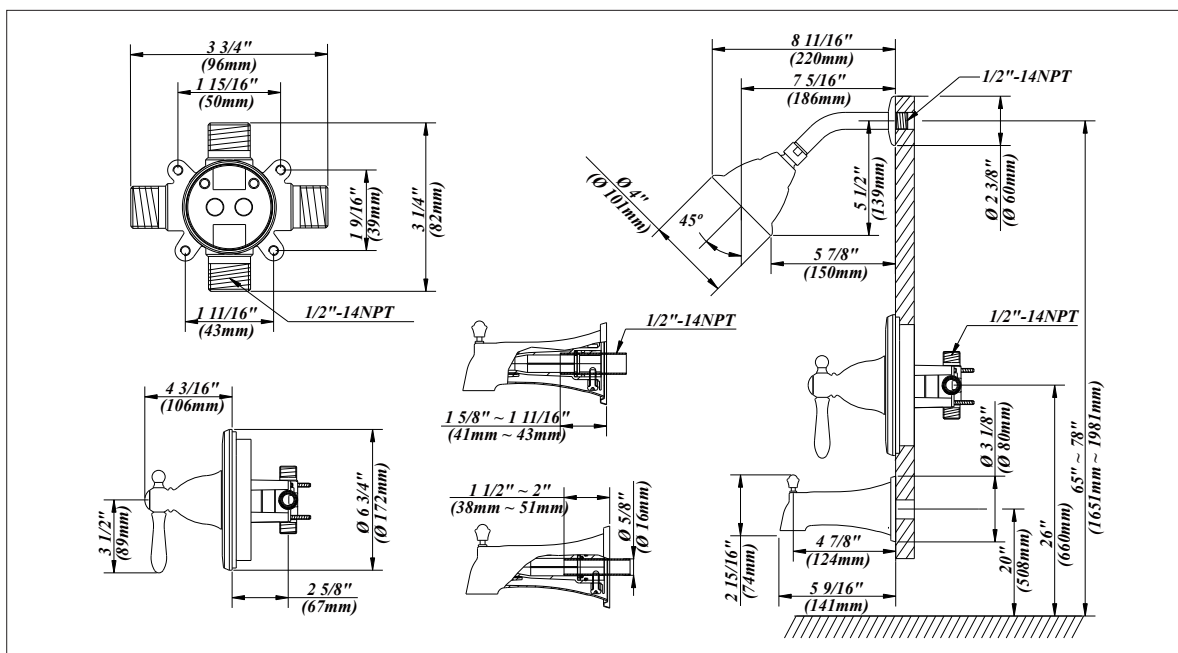


Single Handle Tub & Shower Faucet

No.	Name	Part No.
1	Shower Head	S1214407
2	Shower Arm	A020002
3	Shower Arm Flange	A019001
4	Handle Cap	A66G163
5	Metal Handle Assembly	A66E687
6	Screw Set (3/16" -24 * 3-11/16" L)	A668047
7	Escutcheon Assembly	A607067-S
8	Screw Set (3/16" -24 * 2-3/16" L)	A608519
9	Plaster Guard	A127007
10	Sleeve	A103322
11	Retainer Nut	A103310
12	Washerless Cartridge Assembly	A507975
13	Plug	A028452
14	Hex Wrench (H 3.18 * 20 mm L * 90 mm L)	A031017NI
15	Spout W / Diverter	A666773
16	Spout Escutcheon	A303028



Product Spec Sheet



CALIFORNIA:
TEXAS:
NEW YORK:

TEL: 866-532-8306
TEL: 800-935-5456
TEL: 800-431-2082

FAX: 866-532-8307
FAX: 800-683-4247
FAX: 800-640-2252

Visit Our Web Site : www.matco-norca.com