

**CR-480C**  
 **CR-480ORB**

**CR-480BN**



## **6" - 12" Two Handle Widespread Lavatory Faucet**

# Product Spec Sheet



### **FEATURES & BENEFITS**

- This Product Contains Less Than 0.25% Weighted Average Lead Content On Wetted Surfaces
- Metal Lever Handles
- Ceramic Cartridges
- Brass Pop-up
- Max Flow Rate 1.2 GPM (4.5 L/MIN) At 60 PSI (ASME A112.18.1M/A112.18.1)

CR-480C  
Chrome Finish

CR-480BN  
Brushed Nickel Finish

CR-480ORB  
Oil Rubbed Bronze Finish

#### **APPROVALS:**

**Meets or Exceeds The Following:**

- \* ANSI/ASME A112.18.1M/A112.18.1
- \* NSF/ANSI 61 - Sec. 9
- \* NSF/ANSI 372
- \* IAPMO/cUPC
- \* CA AB1953



NSF/ANSI 372  
NSF/ANSI 61-9



**CALIFORNIA:**  
**TEXAS:**  
**NEW YORK:**

**TEL: 866-532-8306**  
**TEL: 800-935-5456**  
**TEL: 800-431-2082**

**FAX: 866-532-8307**  
**FAX: 800-683-4247**  
**FAX: 800-640-2252**

Visit Our Web Site : [www.matco-norca.com](http://www.matco-norca.com)

**CR-480C**

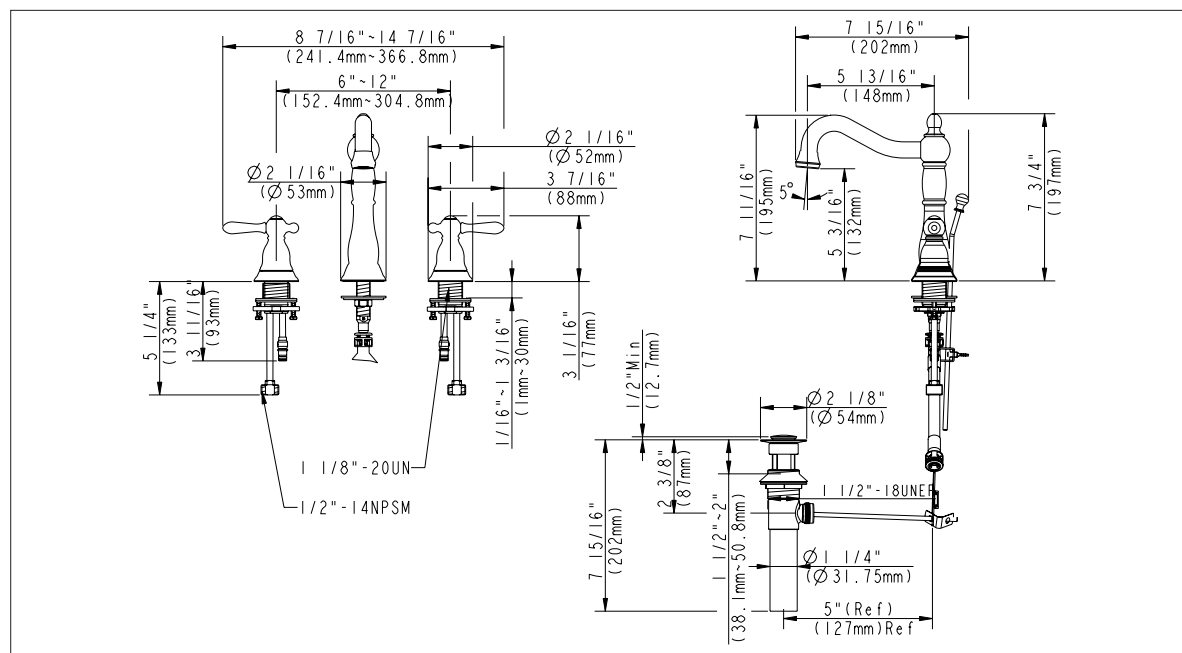
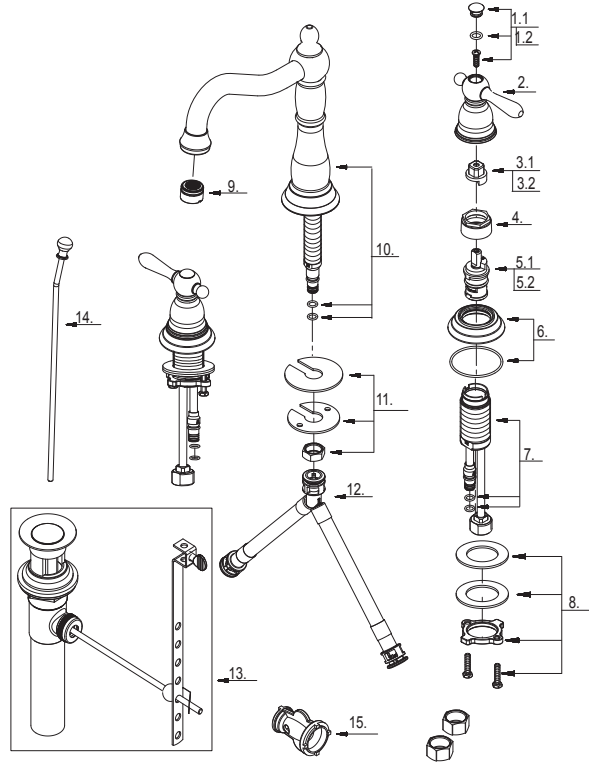
**CR-480BN**



**CR-480ORB**

# 6" - 12" Two Handle Widespread Lavatory Faucet

No.	Name	Part No.
1.1	Index Button-Cold	A66D679C
1.2	Index Button-Hot	A66D679H
2	Metal Handle Assembly	A662583
3.1	Handle Adaptor-Cold	A110114C
3.2	Handle Adaptor-Hot	A110114H
4	Retainer Nut	A016003
5.1	Ceramic Disc Cartridge-Cold	A507104N
5.2	Ceramic Disc Cartridge-Hot	A507103N
6	Handle Trim Ring	A66F375
7	Handle Valve Body	A661002W
8	Mounting Hardware Assembly	A663951
9	Aerator	A500026N-T
10	Spout Assembly	A666890W
11	Mounting Hardware	A66D455
12	Supply Hose	A135141N
13	Pop-up Assembly	A556200L
14	Lift Rod	A025236
15	Wrench	A031245



**Product Spec Sheet**

CALIFORNIA:  
TEXAS:  
NEW YORK:

TEL: 866-532-8306  
TEL: 800-935-5456  
TEL: 800-431-2082

FAX: 866-532-8307  
FAX: 800-683-4247  
FAX: 800-640-2252

Visit Our Web Site : [www.matco-norca.com](http://www.matco-norca.com)