

CR-400C
 CR-400ORB

CR-400BN



4" Two Handle Lavatory Faucet



FEATURES & BENEFITS

- This Product Contains Less Than 0.25% Weighted Average Lead Content On Wetted Surfaces
- Metal Lever Handles
- Ceramic Cartridges
- Brass Pop-up
- Max Flow Rate 1.2 GPM (4.5 L/MIN) At 60 PSI (ASME A112.18.1M/A112.18.1)

CR-400C
Chrome Finish

CR-400BN
Brushed Nickel Finish

CR-400ORB
Oil Rubbed Bronze Finish

APPROVALS:

Meets or Exceeds The Following:

- * ANSI/ASME A112.18.1M/A112.18.1
- * NSF/ANSI 61 - Sec. 9
- * NSF/ANSI 372
- * IAPMO/cUPC
- * CA AB1953



NSF/ANSI 372
NSF/ANSI 61-9



CALIFORNIA:
TEXAS:
NEW YORK:

TEL: 866-532-8306
TEL: 800-935-5456
TEL: 800-431-2082

FAX: 866-532-8307
FAX: 800-683-4247
FAX: 800-640-2252

Visit Our Web Site : www.matco-norca.com

Product Spec Sheet

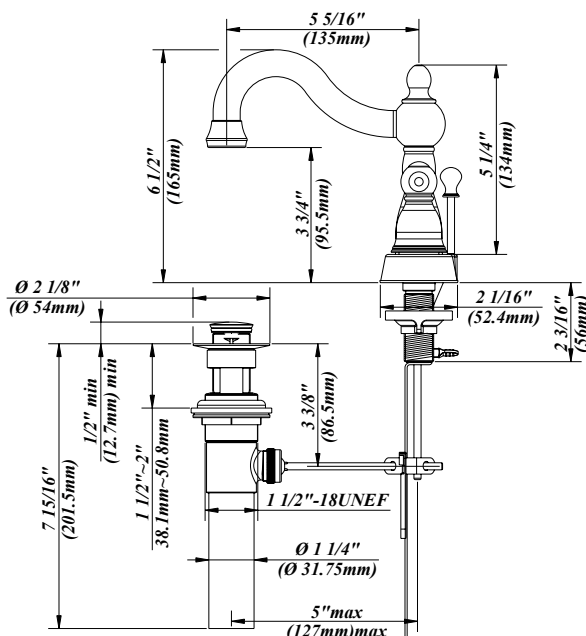
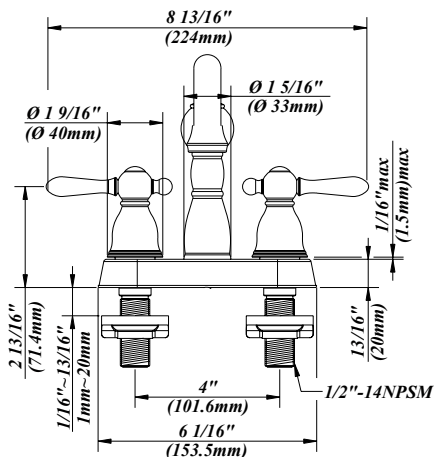
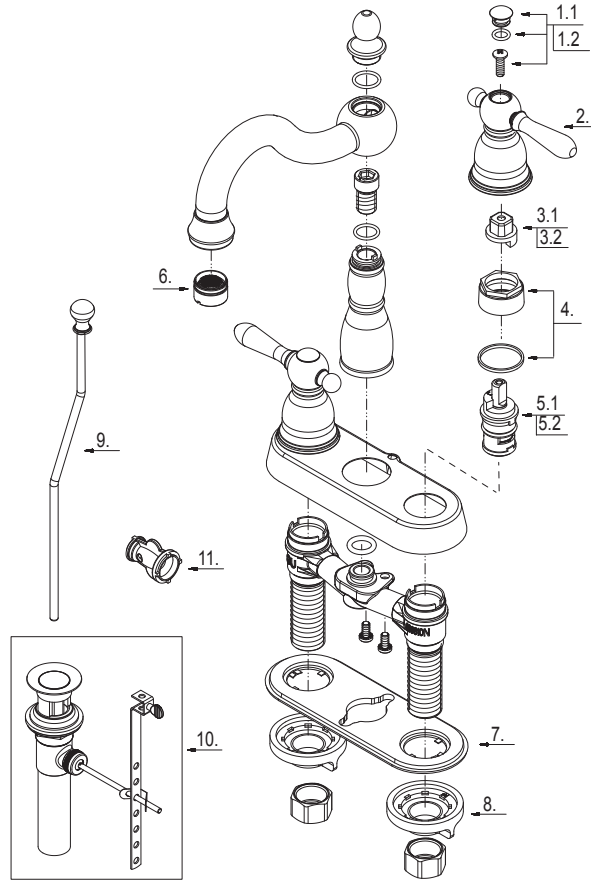
CR-400C
 CR-4000RB

CR-400BN



4" Two Handle Lavatory Faucet

No.	Name	Part No.
1.1	Index Button-Cold	A66D679C
1.2	Index Button-Hot	A66D679H
2	Metal Handle	A662583
3.1	Handle Adaptor- Cold	A110114C
3.2	Handle Adaptor- Hot	A110114H
4	Retainer Nut & Washer	A663629
5.1	Ceramic Disc Cartridge-Cold	A507104N
5.2	Ceramic Disc Cartridge-Hot	A507103N
6	Aerator	A500026N-T
7	Putty Plate	A011367NF
8	Lock Nut Set	A504023
9	Lift Rod	A025589
10	Pop-up Assembly	A556200
11	Wrench	A031245



Product Spec Sheet

CALIFORNIA:
 TEXAS:
 NEW YORK:

TEL: 866-532-8306
 TEL: 800-935-5456
 TEL: 800-431-2082

FAX: 866-532-8307
 FAX: 800-683-4247
 FAX: 800-640-2252

Visit Our Web Site : www.matco-norca.com