

**CR-241C**  
 **CR-241ORB**

**CR-241SS**



## **Two Handle Widespread Kitchen Faucet**

# **Product Spec Sheet**



### **FEATURES & BENEFITS**

- This Product Contains Less Than 0.25% Weighted Average Lead Content On Wetted Surfaces
- Metal Lever Handles
- Ceramic Cartridges
- With Side Spray
- Max Flow Rate 1.5 GPM (5.7 L/MIN) At 60 PSI (ASME A112.18.1M/A112.18.1)

CR-241C  
Chrome Finish

CR-241SS  
Stainless Steel Finish

CR-241ORB  
Oil Rubbed Bronze Finish

#### **APPROVALS:**

**Meets or Exceeds The Following:**

- \* ANSI/ASME A112.18.1M/A112.18.1
- \* NSF/ANSI 61 - Sec. 9
- \* NSF/ANSI 372
- \* IAPMO/cUPC
- \* CA AB1953



NSF/ANSI 372  
NSF/ANSI 61-9



**CALIFORNIA:**  
**TEXAS:**  
**NEW YORK:**

**TEL: 866-532-8306**  
**TEL: 800-935-5456**  
**TEL: 800-431-2082**

**FAX: 866-532-8307**  
**FAX: 800-683-4247**  
**FAX: 800-640-2252**

Visit Our Web Site : [www.matco-norca.com](http://www.matco-norca.com)

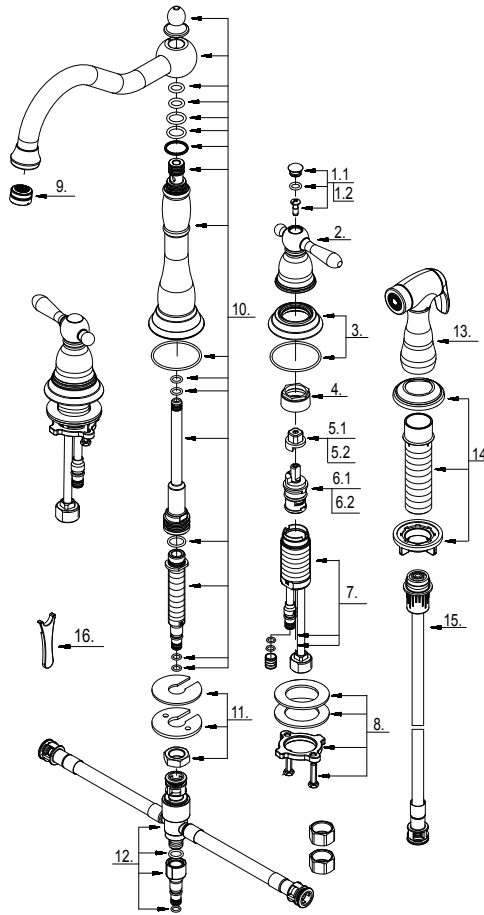
**CR-241C**  
 **CR-241ORB**

**CR-241SS**

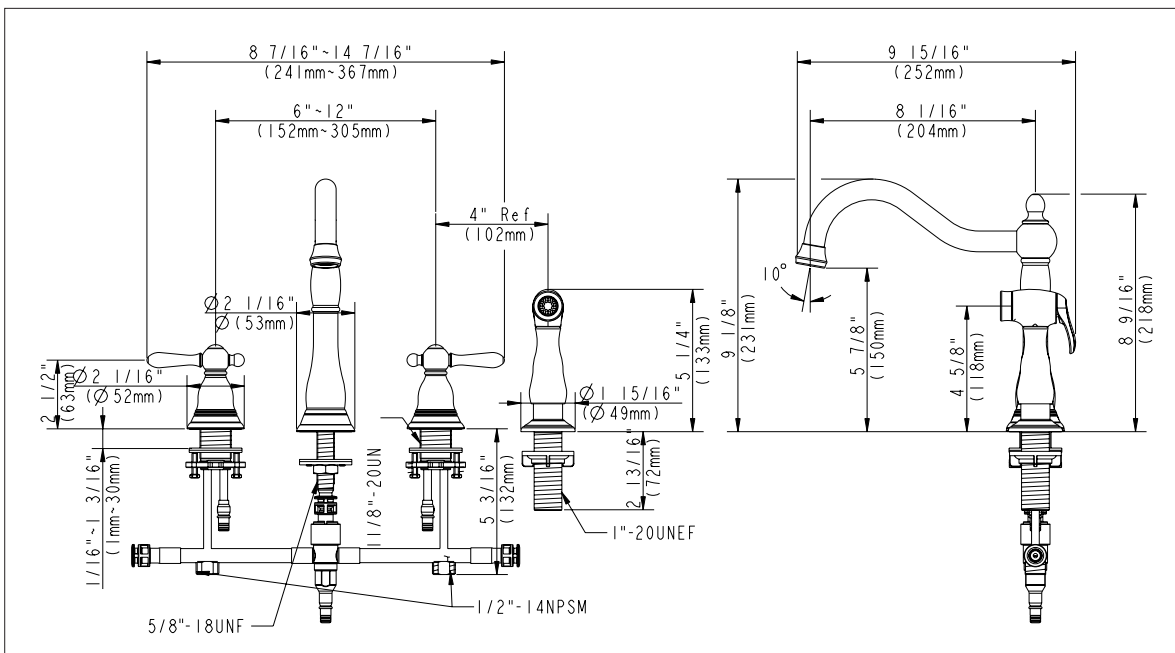


# Two Handle Widespread Kitchen Faucet

No.	Name	Part No.
1.1	Index Button-Cold	A66D679C
1.2	Index Button-Hot	A66D679H
2	Metal Handle Assembly	A662583
3	Handle Trim Ring	A66F375
4	Retainer Nut	A016003
5.1	Handle Adaptor-Cold	A110114C
5.2	Handle Adaptor-Hot	A110114H
6.1	Ceramic Disc Cartridge-Cold	A507104N
6.2	Ceramic Disc Cartridge-Hot	A507103N
7	Handle Valve Body	A661002W
8	Mounting Hardware Assembly	A663951
9	Aerator	A500155N-51
10	Spout Assembly	A666887W
11	Mounting Hardware	A66D301
12	Supply Hose	A664233N
13	Side Spray	A503143W
14	Spray Holder Assembly	A664248
15	Spray Hose	A512139N
16	Aerator Wrench	A031025



# Product Spec Sheet



**CALIFORNIA:**  
**TEXAS:**  
**NEW YORK:**

**TEL: 866-532-8306**  
**TEL: 800-935-5456**  
**TEL: 800-431-2082**

**FAX: 866-532-8307**  
**FAX: 800-683-4247**  
**FAX: 800-640-2252**

Visit Our Web Site : [www.matco-norca.com](http://www.matco-norca.com)