

**CL-732C**     **CL-722C**     **CL-702C**  
 **CL-732CJP**     **CL-722CJP**     **CL-702CJP**



## Single Handle Tub & Shower Faucet

# Product Spec Sheet



### FEATURES & BENEFITS

- Acrylic Round Handle
- Washerless Pressure Balancing Valve
- Slip Fit Diverter Spout
- Max Flow Rate 2.0 GPM (7.6 L/MIN) at 80 PSI (ASME A112.18.1M/A112.18.1)

#### APPROVALS:

Meets or Exceeds The Following:

- \* ANSI/ASME A112.18.1M/A112.18.1
- \* IAPMO/cUPC

CL-732C  
Tub & Shower Faucet  
Chrome Finish

CL-722C  
Shower Only Faucet  
Chrome Finish

CL-702C  
Valve Only Faucet  
Chrome Finish

CL-732CJP  
Trim Kit For Tub & Shower Faucet  
Chrome Finish

CL-722CJP  
Trim Kit For Shower Only Faucet  
Chrome Finish

CL-702CJP  
Trim Kit For Valve Only Faucet  
Chrome Finish



\* WaterSense Only On Models Containing Showerheads

**CALIFORNIA:**  
**TEXAS:**  
**NEW YORK:**

**TEL: 866-532-8306**  
**TEL: 800-935-5456**  
**TEL: 800-431-2082**

**FAX: 866-532-8307**  
**FAX: 800-683-4247**  
**FAX: 800-640-2252**

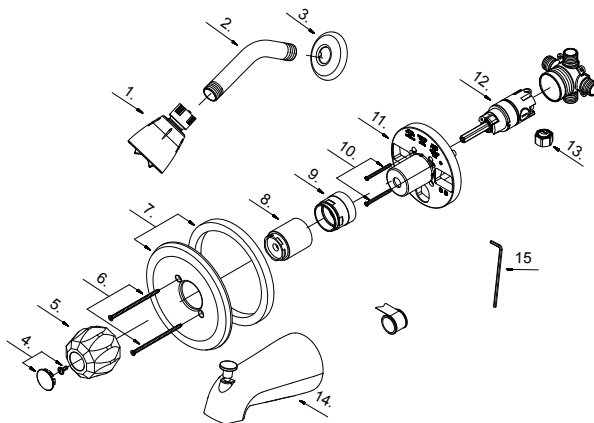
Visit Our Web Site : [www.matco-norca.com](http://www.matco-norca.com)

**CL-732C**     **CL-722C**     **CL-702C**  
 **CL-732CJP**     **CL-722CJP**     **CL-702CJP**

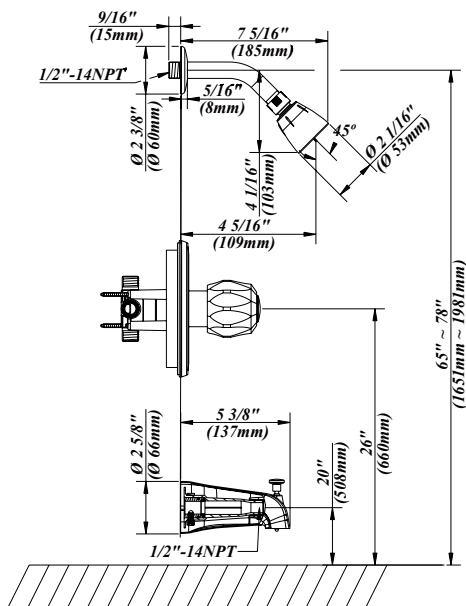
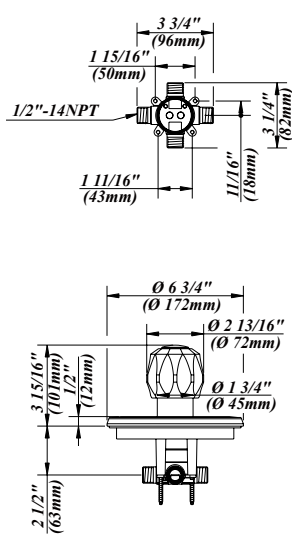


# Single Handle Tub & Shower Faucet

No.	Name	Part No.
1	Shower Head	S1214202
2	Shower Arm Flange	A020002
3	Shower Arm	A019001
4	Handle Cap	A66D647
5	Acrylic Handle	A029073
6	Screw Set (3/16" -24 * 5" L)	A608226
7	Escutcheon Assembly	A667915
8	Sleeve	A103322
9	Retainer Nut	A103310
10	Screw Set (3/16" -24 * 2-3/16" L)	A608519
11	Plaster Guard	A127007
12	Washerless Cartridge Assembly	A507975
13	Plug	A028452
14	Spout W/Diverter	A118011
15	Hex Wrench (H 3.18 *20 mm L * 90 mm L)	A031017NI



# Product Spec Sheet



**CALIFORNIA:**  
**TEXAS:**  
**NEW YORK:**

**TEL: 866-532-8306**  
**TEL: 800-935-5456**  
**TEL: 800-431-2082**

**FAX: 866-532-8307**  
**FAX: 800-683-4247**  
**FAX: 800-640-2252**

Visit Our Web Site : [www.matco-norca.com](http://www.matco-norca.com)