

□ **CL-402C**

□ **CL-402CL**



## **4" Two Handle Lavatory Faucet**



# Product Spec Sheet

### **FEATURES & BENEFITS**

- This Product Contains Less Than 0.25% Weighted Average Lead Content On Wetted Surfaces
- Acrylic Round Handles
- Washerless Cartridges
- Brass Pop-up
- Max Flow Rate 1.2 GPM (4.5 L/MIN) At 60 PSI (ASME A112.18.1M/A112.18.1)

CL-402C  
Chrome Finish

CL-402CL  
Less Pop-up  
Chrome Finish

### **APPROVALS:**

**Meets or Exceeds The Following:**

- \* ANSI/ASME A112.18.1M/A112.18.1
- \* NSF/ANSI 61 - Sec. 9
- \* NSF/ANSI 372
- \* IAPMO/cUPC
- \* CA AB1953



NSF/ANSI 372  
NSF/ANSI 61-9



**CALIFORNIA:**  
**TEXAS:**  
**NEW YORK:**

**TEL: 866-532-8306**  
**TEL: 800-935-5456**  
**TEL: 800-431-2082**

**FAX: 866-532-8307**  
**FAX: 800-683-4247**  
**FAX: 800-640-2252**

Visit Our Web Site : [www.matco-norca.com](http://www.matco-norca.com)

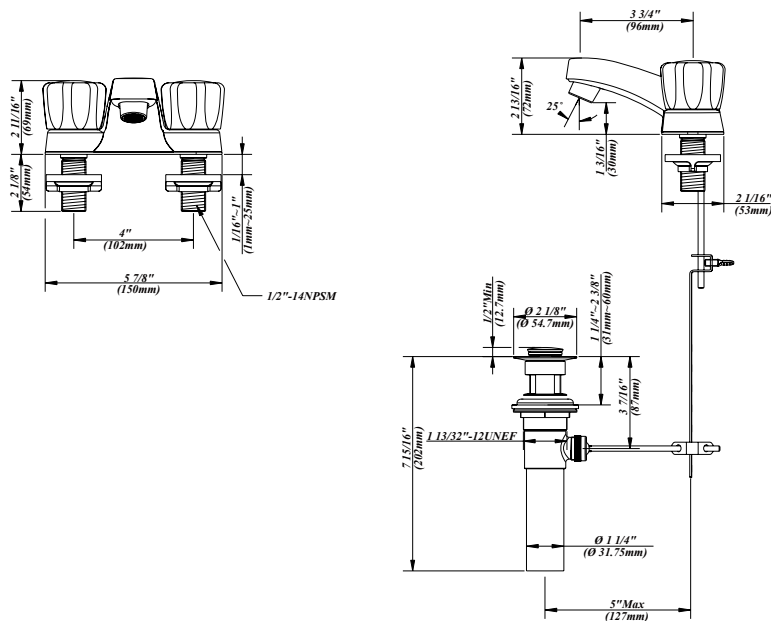
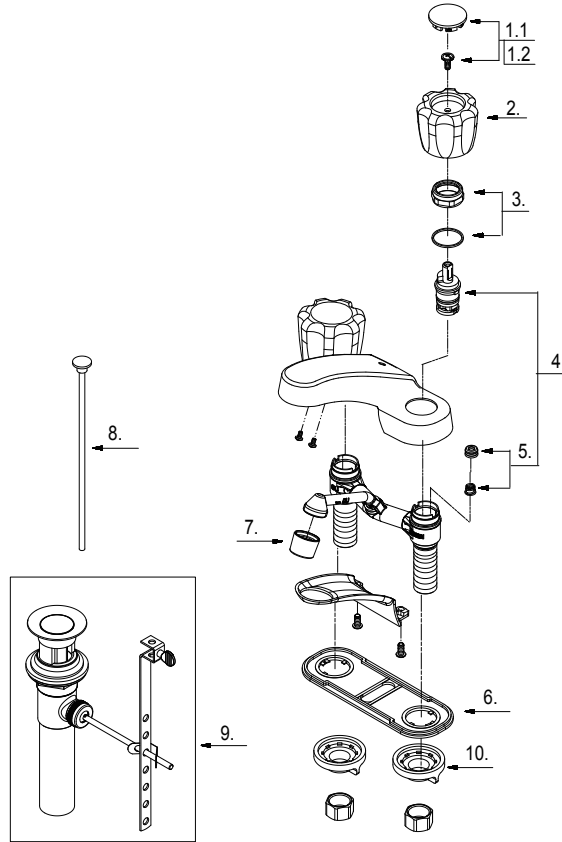
□ **CL-402C**

□ **CL-402CL**



# 4" Two Handle Lavatory Faucet

No.	Name	Part No.
1.1	Index Button-Cold	A66E233C
1.2	Index Button-Hot	A66E233H
2	Acrylic Handle	A029001
3	Retainer Nut	A663631
4	Cartridge Assembly	A66D636N
5	Seat & Spring Set	A663002
6	Putty Plate	A011034
7	Aerator	A500267N-64
8	Lift Rod	A025011
9	Pop-up Assembly	A556200
10	Lock Nut Set	A504023



# Product Spec Sheet

CALIFORNIA:  
TEXAS:  
NEW YORK:

TEL: 866-532-8306  
TEL: 800-935-5456  
TEL: 800-431-2082

FAX: 866-532-8307  
FAX: 800-683-4247  
FAX: 800-640-2252

Visit Our Web Site : [www.matco-norca.com](http://www.matco-norca.com)