

BY-754C
 BY-754ORB

BY-754BN



Universal Showerhead, Arm And Flange



FEATURES & BENEFITS

- Plastic Showerhead
- Brass Ball Joint
- Max Flow Rate 1.75 gpm (6.6 L/min) at 80 psi
- Min Flow Rate 1.3 gpm (4.92 L/min) at 45 psi (ASME A112.18.1M/A112.18.1)

BY-754C
Chrome Finish

BY-754BN
Brushed Nickel Finish

BY-754ORB
Oil Rubbed Bronze Finish

APPROVALS:

Meets or Exceeds The Following:

- * ANSI/ASME A112.18.1M/A112.18.1
- * IAPMO/cUPC



CALIFORNIA:
TEXAS:
NEW YORK:

TEL: 866-532-8306
TEL: 800-935-5456
TEL: 800-431-2082

FAX: 866-532-8307
FAX: 800-683-4247
FAX: 800-640-2252

Visit Our Web Site : www.matco-norca.com

Product Spec Sheet

BY-754C

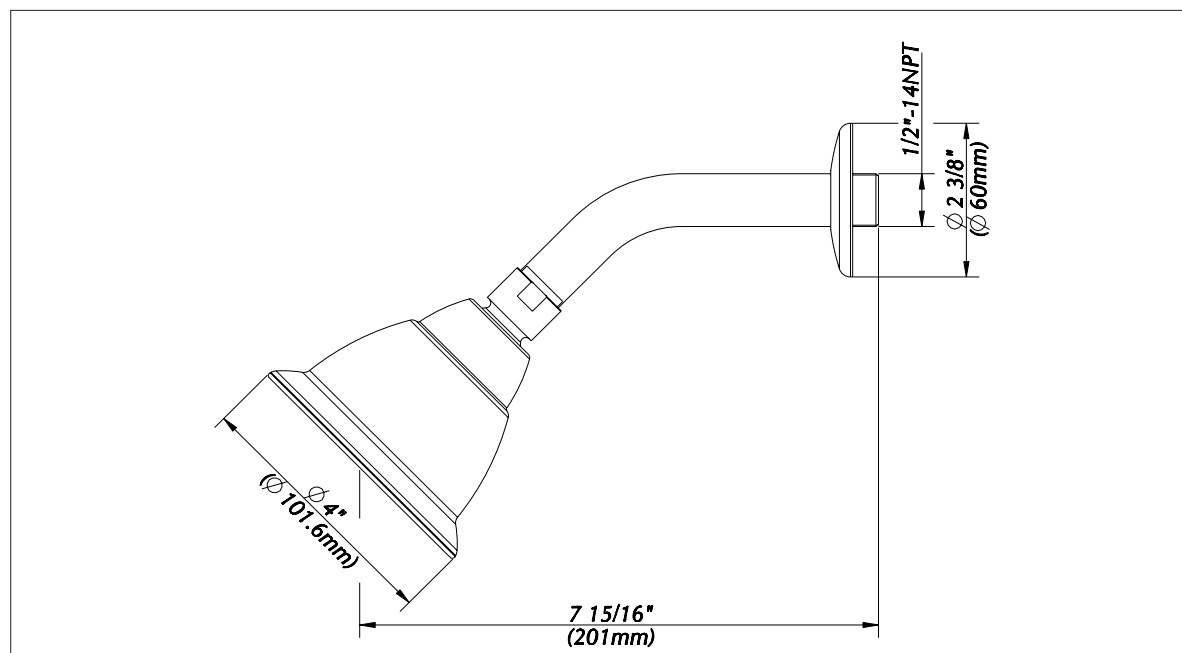
BY-754BN



BY-754ORB

Universal Showerhead, Arm And Flange

No.	Name	Part No.
1	Shower Arm Flange	A019001
2	Shower Arm	A020002
3	Shower Head	S1213403



Product Spec Sheet

CALIFORNIA:
TEXAS:
NEW YORK:

TEL: 866-532-8306
TEL: 800-935-5456
TEL: 800-431-2082

FAX: 866-532-8307
FAX: 800-683-4247
FAX: 800-640-2252

Visit Our Web Site : www.matco-norca.com