

**BL-940CJP**  
 **BL-940ORBJP**

**BL-940BNJP**



## **Four Hole Hand Held Shower Only Roman Tub Trlm Kit**

# Product Spec Sheet



### **FEATURES & BENEFITS**

- Plastic Showerhead
- Max Flow Rate 2.5 GPM (9.5 L/MIN) at 80 PSI (ASME A112.18.1M/A112.18.1)

BL-940CJP  
Chrome Finish

BL-940BNJP  
Brushed Nickel Finish

BL-940ORBJP  
Oil Rubbed Bronze Finish



**CALIFORNIA:**  
**TEXAS:**  
**NEW YORK:**

**TEL: 866-532-8306**  
**TEL: 800-935-5456**  
**TEL: 800-431-2082**

**FAX: 866-532-8307**  
**FAX: 800-683-4247**  
**FAX: 800-640-2252**

Visit Our Web Site : [www.matco-norca.com](http://www.matco-norca.com)

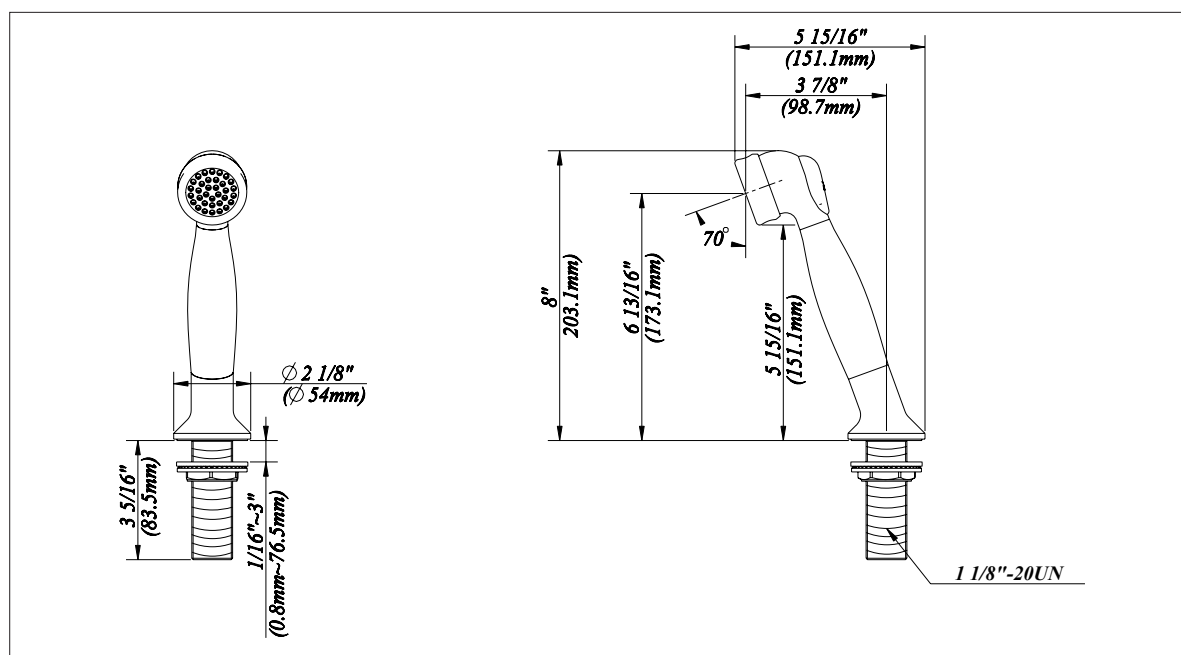
**BL-940CJP**  
 **BL-940ORBJP**

**BL-940BNJP**



## Four Hole Hand Held Shower Only Roman Tub Trim Kit

| No. | Name                                | Part No. |
|-----|-------------------------------------|----------|
| 1   | Shower Head                         | S2211205 |
| 2   | Spray Holder Assembly<br>(3-3/4" L) | A604626  |
| 3   | Spray Hose                          | A511403  |



# Product Spec Sheet

CALIFORNIA:  
 TEXAS:  
 NEW YORK:

TEL: 866-532-8306  
 TEL: 800-935-5456  
 TEL: 800-431-2082

FAX: 866-532-8307  
 FAX: 800-683-4247  
 FAX: 800-640-2252

Visit Our Web Site : [www.matco-norca.com](http://www.matco-norca.com)