

ROMAN TUB FAUCET



Product Spec Sheet

FEATURES & BENEFITS

- Solid Brass Body
- Fits 8"-16" Installation
- Rough-In & Trim Kit Application
- Metal Lever Handles
- ADA Complicant
- Drip-Free Ceramic Cartridge
- Personal Shower Head Included
- 1/2"-14 NPS Inlet
- 100% Factory Pressure Tested Before Shipment

- * AE-986
Chrome Finish
- * AE-986S
Brushed Nickel Finish

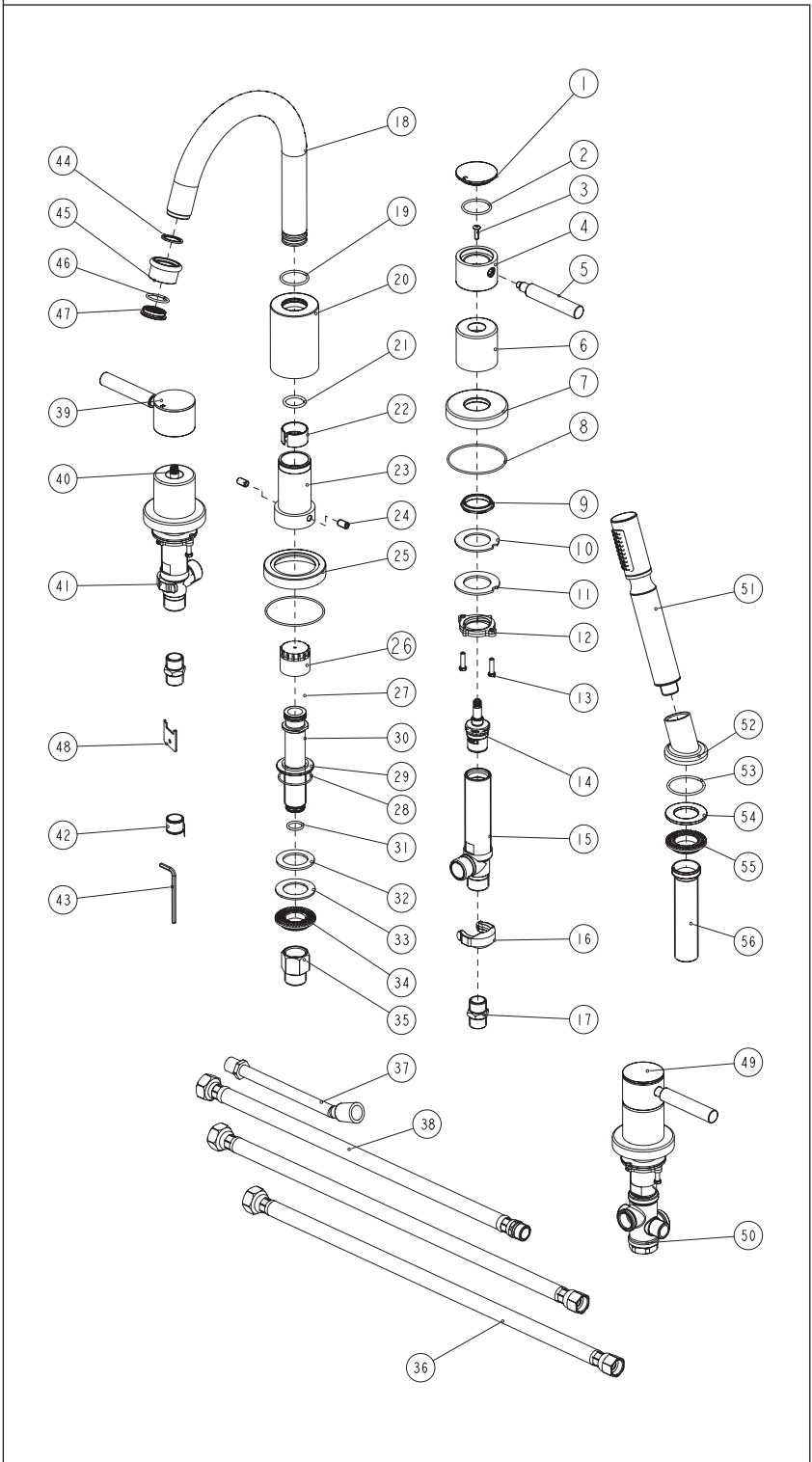
Approvals:
Meets or Exceeds The Following:

- * ANSI/ASME A112.18.1
- * CSA B125.1
- * IAPMO/UPC
- * ADA



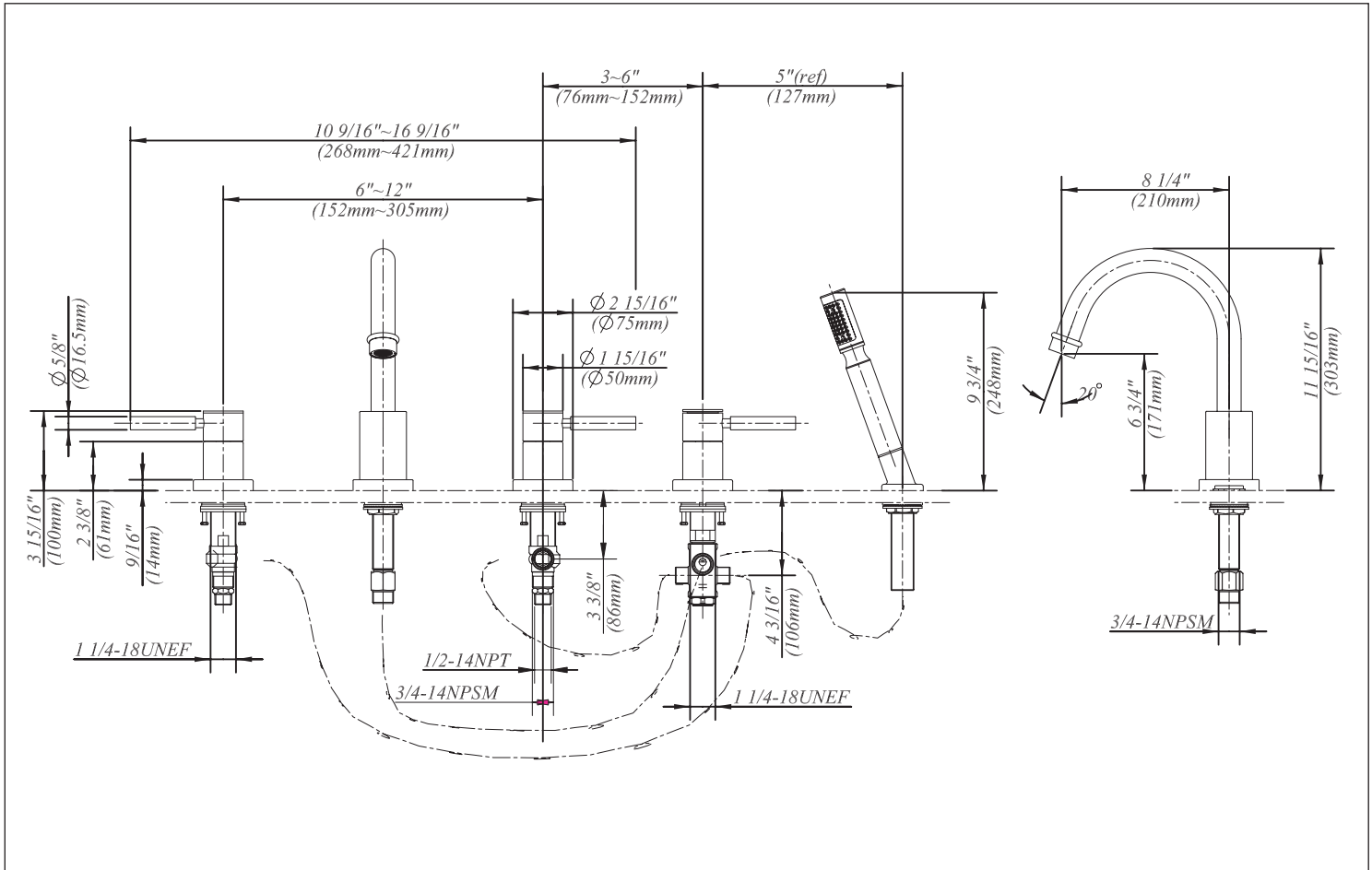
AE-986/AE-986S ROMAN TUB FAUCET

No	Part Title	Material
1	Cap	Brass
2	O-Ring	Rubber
3	Screw	Brass
4	Handle Adaptor	Brass
5	Handle	Brass
6	Canopy	Brass
7	Base	Brass
8	O-Ring	Rubber
9	Connector	Brass
10	Seal	Rubber
11	Washer	Steel
12	Nut	Brass
13	Screw	Steel
14	Cartridge	Ceramic
15	Body	Brass
16	Clip	PP
17	Hose Adapter	Brass
18	Spout	Brass
19	O-Ring	Rubber
20	Sleeve	Brass
21	O-Ring	Rubber
22	Clip	Resin
23	Connector	Brass
24	Screw	Steel
25	Base	Brass
26	Sleeve	ABS
27	O-Ring	Rubber
28	O-Ring	Rubber
29	Nut	Brass
30	Shank	Brass
31	O-Ring	Rubber
32	Seal	Rubber
33	Washer	Brass
34	Nut	Brass
35	Adapter	Brass
36	Hose	Stainless Steel/Plastic/Brass
37	Shower Hose	Plastic
38	Hose	Stainless Steel/Plastic/Brass
39	Cap	Brass
40	Cartridge	Ceramic
41	Clip	PP
42	Tape	Teflon
43	Wrench	Steel
44	Seal	Rubber
45	Shell	Brass
46	O-Ring	Rubber
47	Aerator	ABS
48	Wrench	Steel
49	Cap	Brass
50	Diverter	Brass
51	Shower Head	Brass/Plastic
52	Shower Holder	Brass
53	O-Ring	Rubber
54	Washer	Steel
55	Nut	Brass
56	Shank	Brass



Product Spec Sheet

AE-986/AE-986S ROMAN TUB FAUCET



Product Spec Sheet



Approvals:
Meets or Exceeds The Following:

- * ANSI/ASME A112.18.1
- * CSA B125.1
- * IAPMO/UPC
- * ADA



BREWSTER, NY: P.O. BOX 27 Route 22 Brewster, NY 10509
HOUSTON, TX: 1150 Silber Road Houston, TX 77055
LA PALMA, CA: 5593 Fresca Drive La Palma, CA 90623

Visit Our Web Site : www.matco-norca.com