

AE-975/AE-975S
SINGLE HANDLE VESSEL FILLER FAUCET



SINGLE HANDLE VESSEL FILLER FAUCET



Product Spec Sheet

FEATURES & BENEFITS

- Two Faucets In One : Can Be Installed As A Vessel Filler Or A Regular Lavatory Faucet
- Solid Brass And Copper Waterways
- Drip-free Ceramic Disc Cartridge
- Water Saving Aerator
- Stainless Steel Braided Supply Hoses
- Push On Pop-up
- 1/2"-14 Nps Inlet
- 100% Factory Pressure Tested Before Shipment

- * AE-975
Chrome Finish
- * AE-975S
Brushed Nickel Finish

APPROVALS:
Meets or Exceeds The Following:

- * ANSI/ASME A112.18.1
- * CSA B125.1
- * ANSI/NSF 61 – Sec. 9
- * IAPMO/UPC



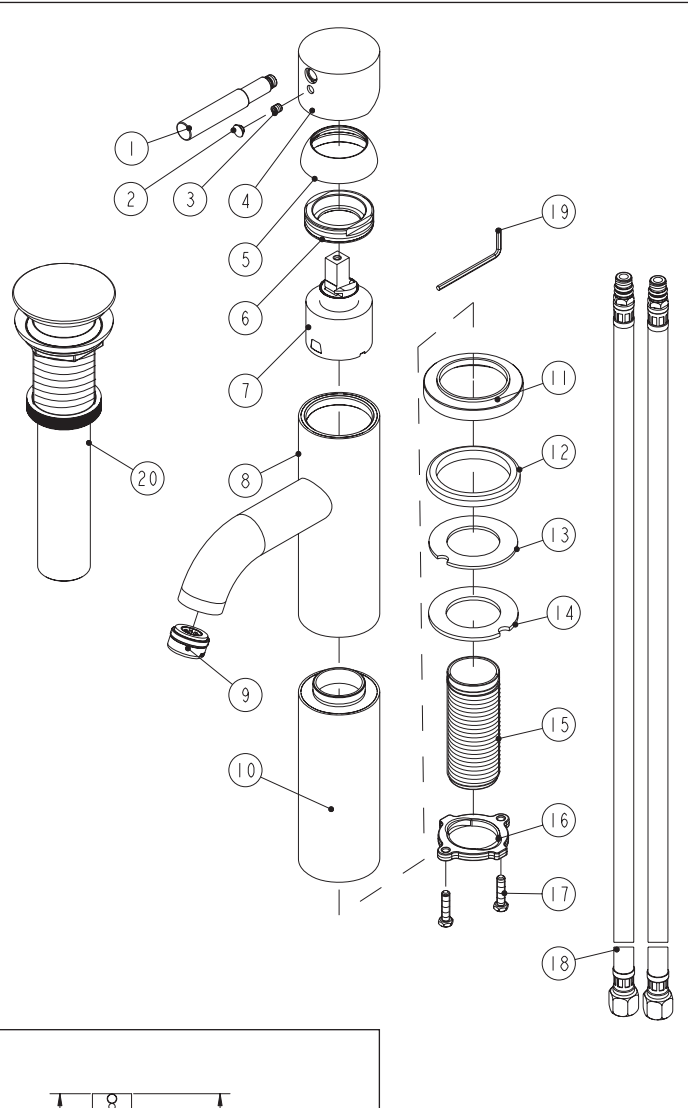
BREWSTER, NY: TEL: 800-431-2082 FAX: 800-640-2252
HOUSTON, TX: TEL: 800-935-5456 FAX: 800-683-4247
LA PALMA, CA: TEL: 866-532-8306 FAX: 866-832-8307

Visit Our Web Site : www.matco-norca.com

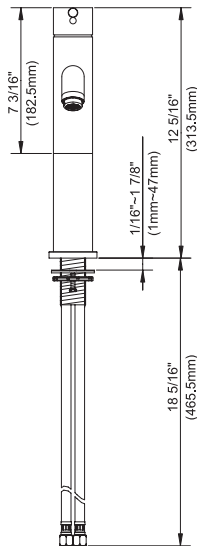
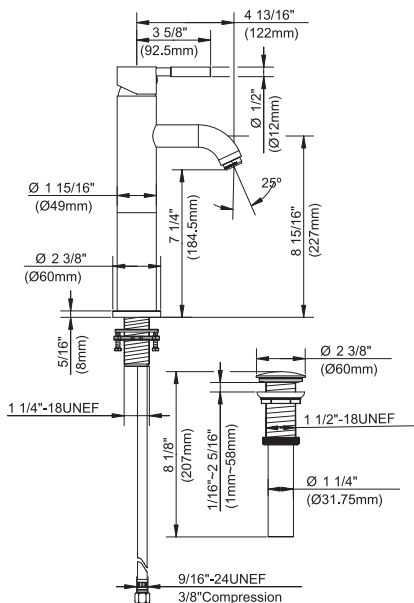
AE-975/AE-975S SINGLE HANDLE VESSEL FILLER FAUCET



No	Part Title	Material
1	Metal Handle	Brass
2	Handle Insert	Rubber
3	Screw	Stainless Steel
4	Handle Body	Zinc
5	Trim Cap	Zinc
6	Locking Nut	Brass
7	Ceramic Disc Cartridge	Ceramic&Brass
8	Spout Body	Brass
9	Aerator Assembly	Brass&Rubber
10	Spout Body	Brass
11	Trim Ring	Brass
12	O-Ring	Rubber
13	Seal Kit	Rubber
14	O-Ring Stainless	Steel
15	Shank	Brass
16	Mounting Nut	Stainless Steel
17	Screw	Stainless Steel
18	Supply Hose Assembly	Stainless Steel
19	Wrench	Stainless Steel
20	Push On Pop-up	Brass



Product Spec Sheet



APPROVALS:
Meets or Exceeds
The Following:

- * ANSI/ASME A112.18.1
- * CSA B125.1
- * ANSI/NSF 61 – Sec. 9
- * IAPMO/UPC



BREWSTER, NY: P.O. BOX 27 Route 22 Brewster, NY 10509
HOUSTON, TX: 1150 Silber Road Houston, TX 77055
LA PALMA, CA: 5593 Fresca Drive La Palma, CA 90623

Visit Our Web Site : www.matco-norca.com