

AE-970/AE-970S VESSEL SINK FILLING FAUCET



VESSEL SINK FILLING FAUCET



Product Spec Sheet

FEATURES & BENEFITS

- Solid Brass Body
- Single Hole Mounted
- Drip-free Ceramic Disc Cartridge
- Easy Single Lever Operation
- Water Saving Aerator
- 15" S.S Braid Hose Included
- 1/2"-14 NPS Inlet
- 100% Factory Pressure Tested Before Shipment

- * AE-970
Chrome Finish
- * AE-970S
Brushed Nickel Finish

Approval s: Meets or Exceeds The Following:

- * ANSI/ASME A112.18.1
- * CSA B125.1
- * ANSI/NSF 61 – Sec. 9
- * IAPMO/UPC



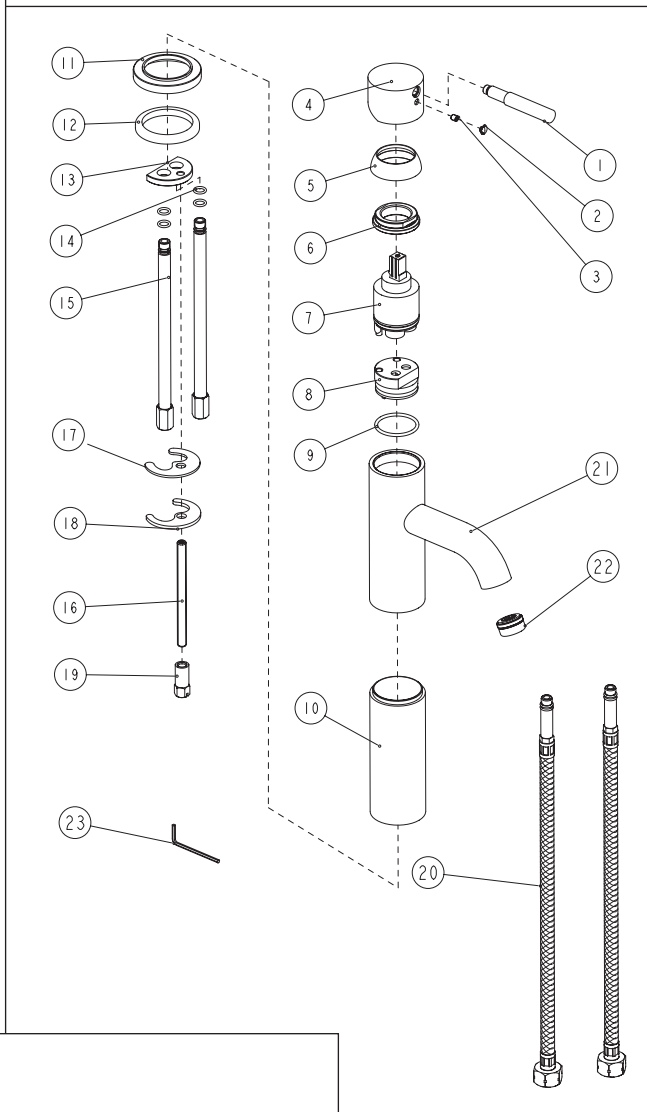
BREWSTER, NY: TEL: 800-431-2082
HOUSTON, TX: TEL: 800-935-5456
LA PALMA, CA: TEL: 866-532-8306

FAX: 800-640-2252
FAX: 800-683-4247
FAX: 866-832-8307

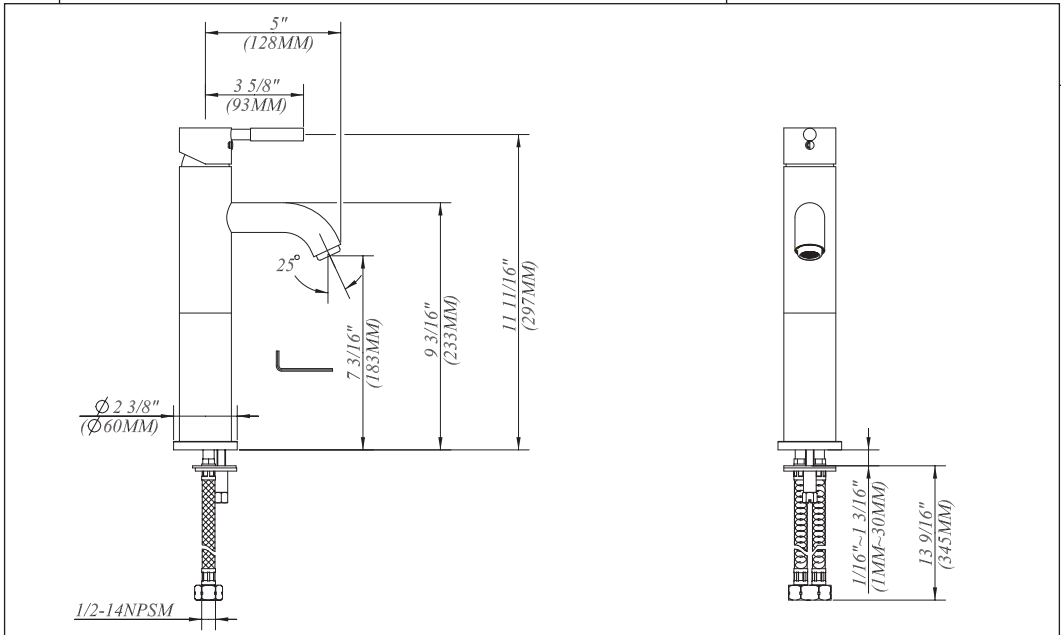
AE-970/AE-970S VESSEL SINK FILLING FAUCET



No	Part Title	Material
1	Handle	Brass
2	Insert	Plastic
3	Screw	Steel
4	Handle Base	Brass
5	Cap	Brass
6	Adjusting Ring	Brass
7	Cartridge	Ceramic
8	Body	Brass
9	O-Ring	Rubber
10	Sleeve	Brass
11	Base	Brass
12	Washer	Rubber
13	Connector	Brass
14	O-Ring	Rubber
15	Connector	Brass
16	Thread Rod	Brass
17	Washer	Brass
18	Washer	Brass
19	Nut	Brass
20	Hose	Plastic/Stainless Steel
21	Spout	Brass
22	Aerator	Brass/Plastic
23	Wrench	Steel



Product Spec Sheet



Approvals:
Meets or Exceeds
The Following:

- * ANSI/ASME A112.18.1
- * CSA B125.1
- * ANSI/NSF 61 – Sec. 9
- * IAPMO/UPC



BREWSTER, NY: P.O. BOX 27 Route 22 Brewster, NY 10509
HOUSTON, TX: 1150 Silber Road Houston, TX 77055
LA PALMA, CA: 5593 Fresca Drive La Palma, CA 90623

Visit Our Web Site : www.matco-norca.com