

AE-925 KITCHEN FAUCET



TWO HANDLE - WASHERLESS CARTRIDGE



FEATURES & BENEFITS

- ❖ Solid Brass Bodies
- ❖ Fits 8" Centers
- ❖ 1/2" NPT Inlet
- ❖ Solid Brass Lever Handle With Spray
- ❖ ADA Compliant
- ❖ Water Saving Aerator
- ❖ Max Flow Rate: 2.2GPM @60psi
- ❖ 100% Factory Pressure Tested Before Shipment

ALSO AVAILABLE:

AE-925S - With
Brushed Nickel Finish

AE-925ORB - With
Oil Rubbed Bronze Finish



APPROVALS:

Meets or Exceeds The Following:

- ❖ ANSI/ASME A112.18.1
- ❖ CSA B125
- ❖ ANSI/NSF 61 - Sec. 9
- ❖ IAPMO/UPC



BREWSTER, NY: TEL: 800-431-2082 FAX: 914-278-9056
HOUSTON, TX: TEL: 800-935-5456 FAX: 800-683-4247
LAPALMA, CA: TEL: 866-532-8306 FAX: 866-832-8307

Visit Our Web Site: www.matco-norca.com

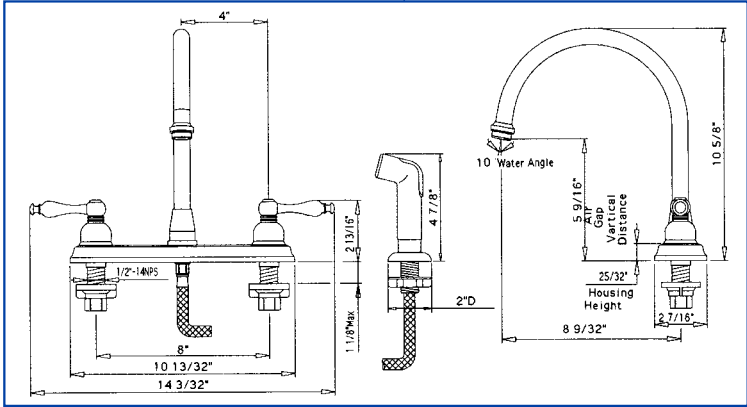
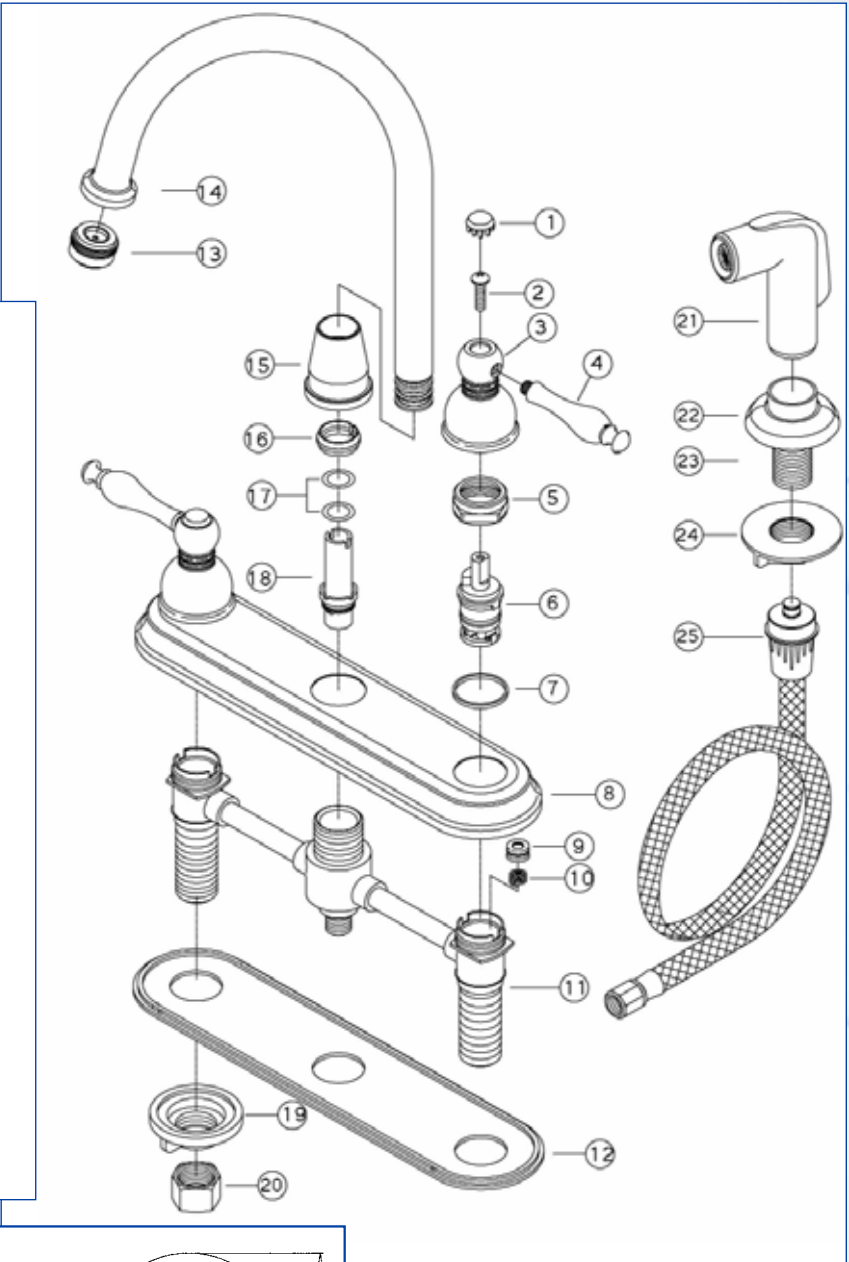
Product Spec Sheet

AE-925 KITCHEN FAUCET

M
MATCO-NORCA™

Product Spec sheet

No.	Part Title	Material
1	Cap	C28000
2	Screw	C36000
3	Canopy	Zinc Alloy
4	Handle	C36000
5	Retaining Nut	C36000
6	Cartridge	Washerless
7	Plastic Ring	PP
8	Cover Plate	C28000
9	Seat	EPDNXY -E38012-FDA
10	Spring	S30400
11	Body	Brass
12	Bottom Cover	PP
13	Aerator	Brass/Plastic
14	Spout	Brass
15	Sleeve	C36000
16	Clip	PP
17	O-Ring	EPDNXY -E37072-FDA
18	Diverter	Plastic
19	Lock Nut	ABS
20	Complying Nut	C36000
21	Spray	ABS
22	Flange	C28000
23	Hose Guide	ABS
24	Nut	ABS
25	Hose	PVC



M
MATCO-NORCA™

BREWSTER, NY: P.O. Box 27 Route 22 Brewster, NY 10509
HOUSTON, TX: 1150 Silber Road Houston, TX 77055
LAPALMA, CT: 5593 Fresca Drive La Palma, CA 90623

Visit Our Web Site: www.matco-norca.com

DESIGNED & PRODUCED BY JOWADVERTISING.COM