

AE-905 KITCHEN FAUCET

TWO HANDLE - WASHERLESS



FEATURES & BENEFITS

- ❖ Quarter Turn Lifetime Ceramic Cartridges
- ❖ High Spout Design
- ❖ All Brass Waterways
- ❖ Durable Chrome Finish
- ❖ Brass Supply Nuts
- ❖ Solid Brass Lever Handles
- ❖ Water Conserving Aerator
- ❖ Standard Replacement Parts
- ❖ 1/2" NPT Hookup
- ❖ 8" Center
- ❖ NSF Section 61-9 Compliant, UPC Approved
- ❖ Model AE-915 Comes With Hose & Spray
- ❖ ADA Compliant
- ❖ Polished Brass Trim Kit Available



Product Spec Sheet



BREWSTER: TEL: 800-431-2082 FAX: 800-640-2252

HOUSTON: TEL: 800-935-5456 FAX: 800-683-4247

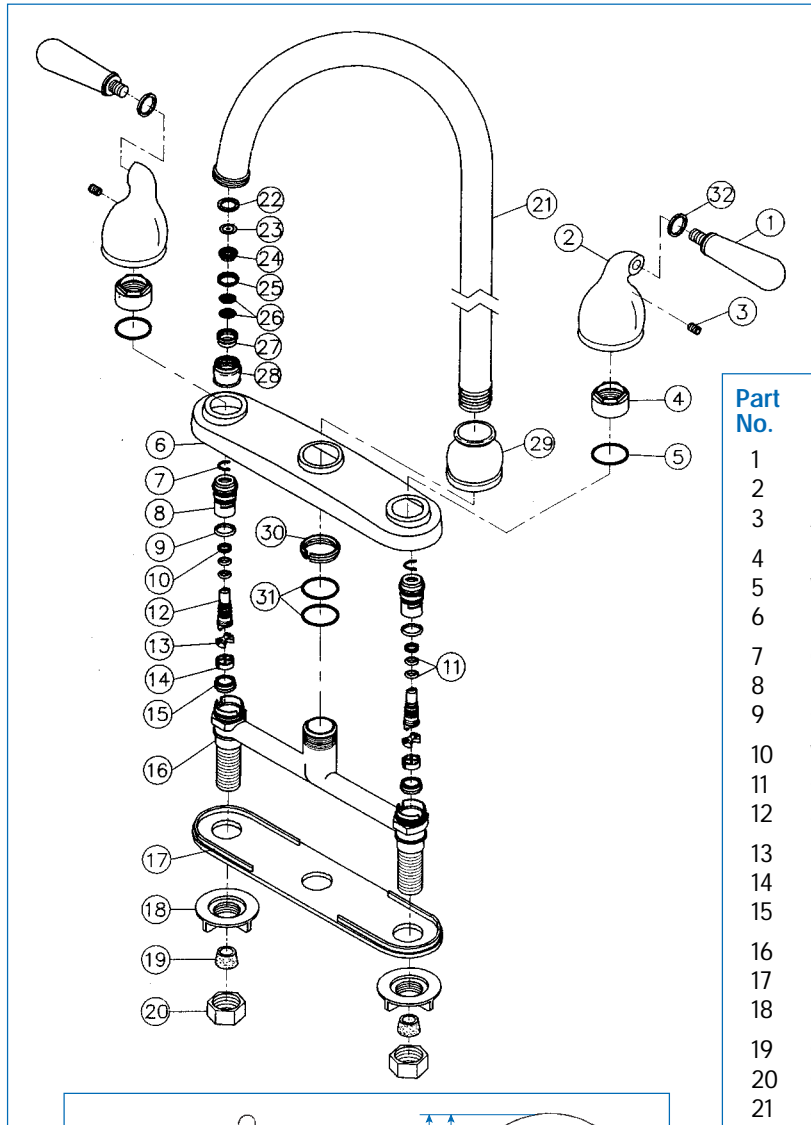
PREVIOUS

Click The Product Name Below To Return To That Index
BRASS & BRONZE VALVES CAST IRON VALVES FAUCETS

NEXT

Click Here For
DRAWINGS & DIMENSIONS

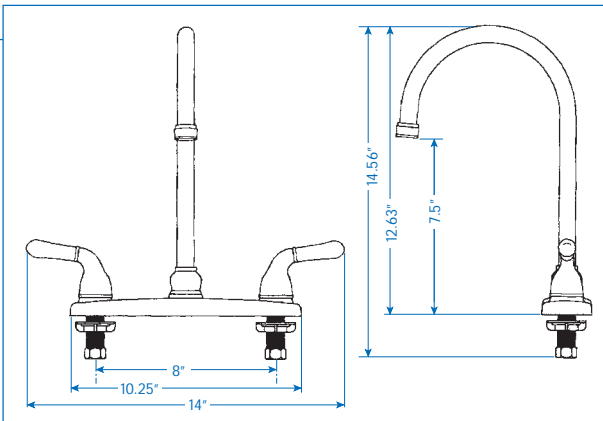
AE-905 KITCHEN FAUCET



AE-905 -
Less Hose & Spray

AE-915 -
With Hose & Spray

| Part No. | Part Title | Material |
|----------|--------------------|-----------------|
| 1 | Lever | Brass |
| 2 | Handle | Brass |
| 3 | Allen Screw | Brass |
| 4 | Nut | Zinc |
| 5 | Washer | Commercial |
| 6 | Housing | Zinc |
| 7 | Clip | Brass |
| 8 | Bush | Brass |
| 9 | O-Ring | Rubber |
| 10 | Washer | Teflon |
| 11 | O-Ring | Rubber |
| 12 | Shaft | Brass |
| 13 | Upper Disc | Ceramic |
| 14 | Lower Disc | Ceramic |
| 15 | Gasket | Silicon Rubber |
| 16 | Body | Brass |
| 17 | Bottom Cover | ABS |
| 18 | Lock Nut | ABS |
| 19 | Cone Washer | Rubber |
| 20 | Coupling Nut | Brass |
| 21 | Spout | Brass |
| 22 | Packing | Rubber |
| 23 | Restrictor | Commercial |
| 24 | Duracon Filter Net | Commercial |
| 25 | Duracon Ring | Commercial |
| 26 | Filter Net | Stainless Steel |
| 27 | Filter Net Seat | Commercial |
| 28 | Aerator Cap | Brass |
| 29 | Spout Nut | Zinc |
| 30 | Split Ring | Commercial |
| 31 | O-Ring | Rubber |
| 32 | Washer | Plastic |



Product Spec Sheet



BREWSTER: TEL: 800-431-2082 FAX: 800-640-2252

HOUSTON: TEL: 800-935-5456 FAX: 800-683-4247

PREVIOUS

Click The Product Name Below To Return To That Index
BRASS & BRONZE VALVES CAST IRON VALVES FAUCETS

NEXT

Click Here For
PHOTO & FEATURES