

## LAVATORY FAUCET



### FEATURES & BENEFITS

- Solid Brass Body
- 1/2"-14 NPS Inlet
- Metal Lever Handles
- ADA Compliant
- Drip-free Ceramic Cartridge
- Brass Pop-up Drain Assembly
- 100% Factory Pressure Tested Before Shipment

- \* AE-895  
Chrome Finish
- \* AE-895S  
Brushed Nickel Finish

#### Approvals: Meets or Exceeds The Following:

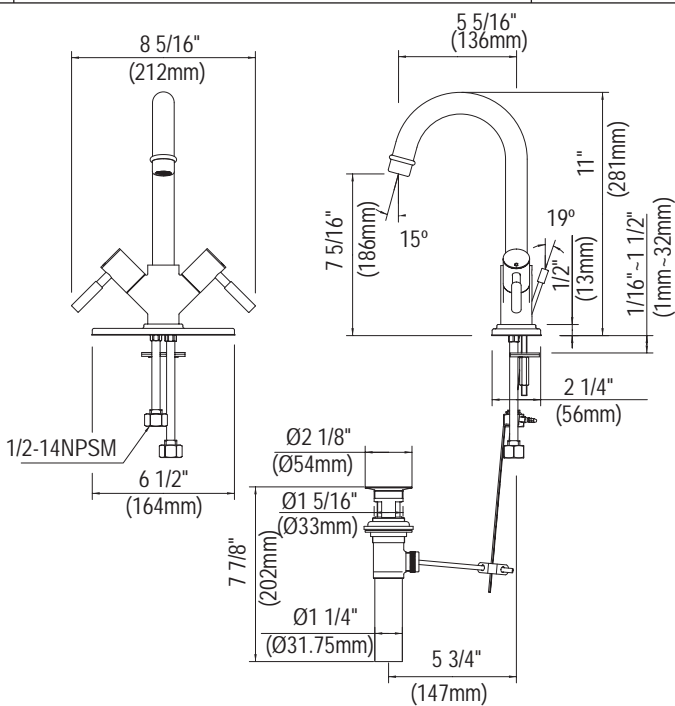
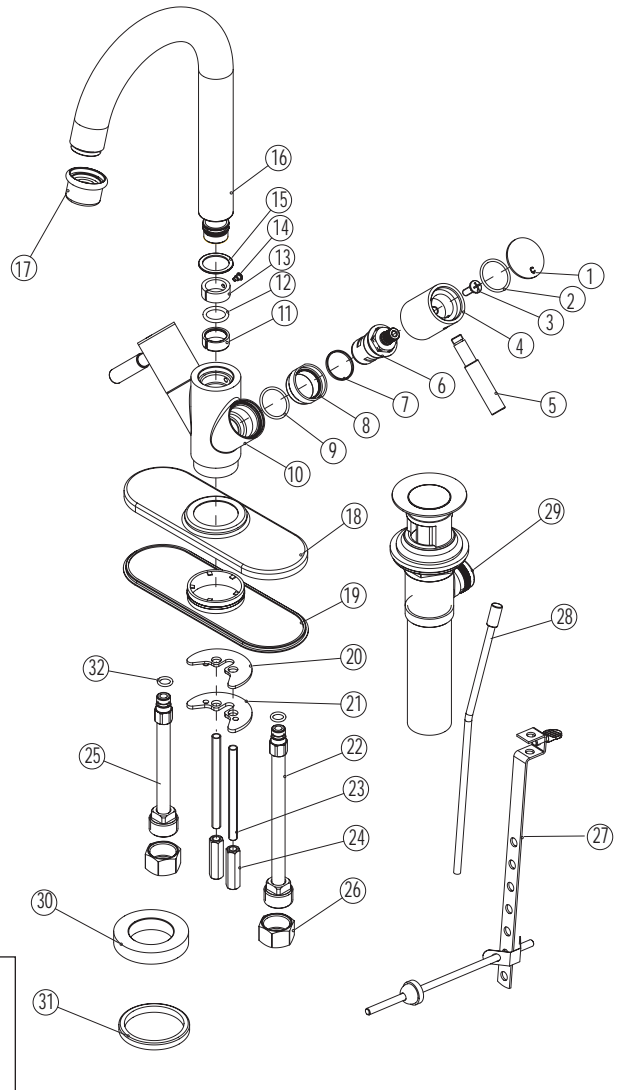
- \* ANSI/ASME A112.18.1
- \* CSA B125.1
- \* IAPMO/UPC



# AE-895/AE-895S LAVATORY FAUCET



No	Part Title	Material
1	Handle Cap	Brass
2	O-Ring	Rubber
3	Screw	Stainless Steel
4	Canopy	Brass
5	Handle	Brass
6	Cartridge	Brass/Ceramic
7	O-Ring	Plastic
8	Connector	Brass
9	O-Ring	Rubber
10	Body Assembly	Brass
11	Clip	Plastic
12	O-Ring	Plastic
13	Clip	Plastic
14	Screw	Brass
15	Washer	Plastic
16	Spout Assembly	Brass
17	Aerator Assembly	Brass/Plastic
18	Cover Plate	Brass
19	Bottom Plate	Plastic
20	Seal	Rubber
21	Washer	Brass
22	Connection	Stainless Steel
23	Screw Stem	Stainless Steel
24	Lock Nut	Brass
25	Connection	Stainless Steel
26	Lock Nut	Brass
27	Ball Rod Assembly	Brass
28	Lift Rod	Plastic
29	Pop-up Assembly	Brass
30	Spout Base	Brass
31	Seal	Rubber
32	O-Ring	Rubber



**Approvals:**  
Meets or Exceeds  
The Following:

- \* ANSI/ASME A112.18.1
- \* CSA B125.1
- \* IAPMO/UPC

# Product Spec Sheet



**BREWSTER, NY: P.O. BOX 27 Route 22 Brewster, NY 10509**  
**HOUSTON, TX: 1150 Silber Road Houston, TX 77055**  
**LA PALMA, CA: 5593 Fresca Drive La Palma, CA 90623**

Visit Our Web Site : [www.matco-norca.com](http://www.matco-norca.com)