

LAVATORY FAUCET



Product Spec Sheet

FEATURES & BENEFITS

- Solid Brass Body
- Fits 4" Centers
- 1/2"-14 NPS Inlet
- Metal Lever Handles
- ADA Compliant
- Washerless Cartridge
- Brass Pop-up Drain Assembly
- 100% Factory Pressure Tested Before Shipment

- * AE-885
Chrome Finish
- * AE-885S
Brushed Nickel Finish

Approvals: Meets or Exceeds The Following:

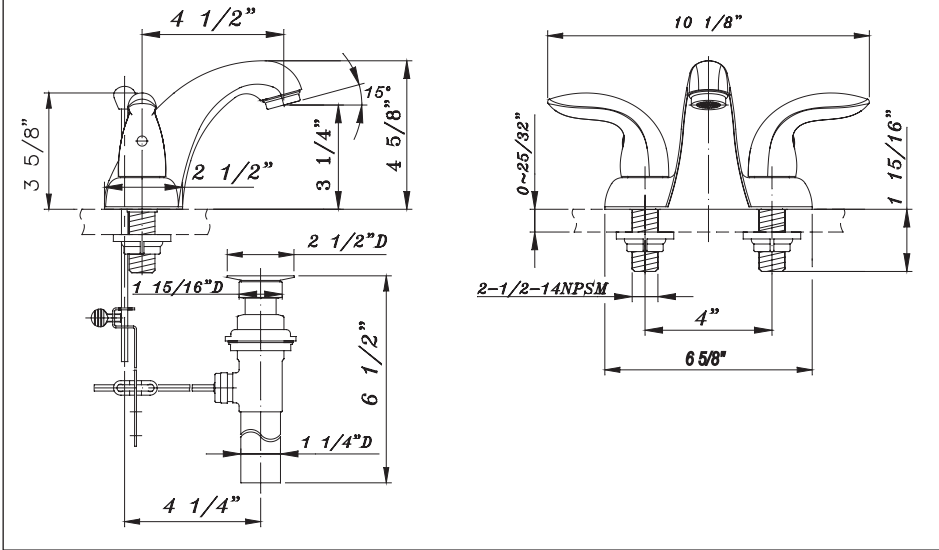
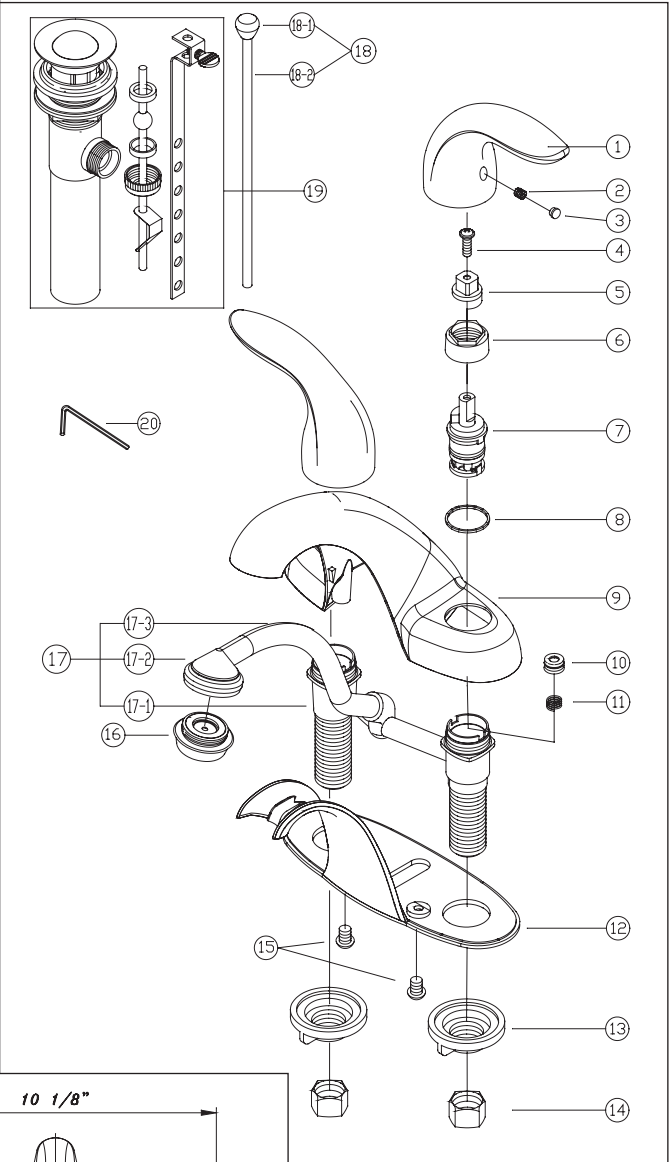
- * ANSI/ASME A112.18.1
- * CSA B125.1
- * IAPMO/UPC



AE-885/AE-885S LAVATORY FAUCET



No	Part Title	Material
1	Handle	Zinc
2	Screw	Stainless Steel
3	Insert	Rubber
4	Screw	Brass
5	Extension Stem	Plastic+33%Fiberglass
6	Retainer Nut	Zinc
7	Cartridge	Plastic
8	O-Ring	Plastic
9	Cover Plate	Zinc
10	Cone Washer(Seal)	Rubber
11	Spring	Stainless Steel
12	Bottom Plate	Plastic
13	Lock Nut	Plastic
14	Coupling Nut	Brass
15	Screw	Brass
16	Aerator Assembly	Brass/Plastic
17	Body Assembly	Brass
18	Ball Rod Assembly	Brass
19	Pop-up Assembly	Brass
20	Wrench	Iron



Approvals:
Meets or Exceeds
The Following:
 * ANSI/ASME A112.18.1
 * CSA B125.1
 * IAPMO/UPC

Product Spec Sheet



BREWSTER, NY: P.O. BOX 27 Route 22 Brewster, NY 10509
HOUSTON, TX: 1150 Silber Road Houston, TX 77055
LA PALMA, CA: 5593 Fresca Drive La Palma, CA 90623

Visit Our Web Site : www.matco-norca.com